



国家高新技术企业 浙江省著名商标



# High purity pumps

高洁净泵 0.3.7

东正一直致力于技术革新  
是您值得信赖的事业伙伴  
**Donjoy has been committed to  
technical innovation, is your trustworthy  
business partner!**

目录册技术资料仅供参考，  
东正保留更新和升级的权利，恕不另行通知！

Catalogue technical information only for reference.  
Donjoy reserves the rights to update and upgrade  
without prior notice.

**法律声明:**

目录样册版权归东正所有，  
如有抄袭，必将追究其法律责任和经济赔偿。  
东正已获得国家版权局书刊号。  
东正诸多产品技术，都具有专利保护，  
如有抄袭，必将追究法律责任和经济赔偿。

**Legal statement:**

Copyright of the catalogue belongs to Donjoy.  
If there is plagiarism, it will be investigated for legal  
responsibility and economic compensation.  
Donjoy has been granted publications number by  
Chinese National Copyright.  
Donjoy products and technology are with patent protection.  
If there is plagiarism, it will be investigated for legal  
responsibility and economic compensation.

# 温州空港新区总部生产基地 Wenzhou airport economic zone production base



占地面积约29000m<sup>2</sup>，总投资约1.2亿RMB，约2000万USD。

Covering an area of 29000 m<sup>2</sup>, with total investment after construction is expected to 120 million yuan, about 20 million USD.

# 领先源于创新 创新源于专业

## 东正的专业与品质的邂逅源于创新的精神

东正创立于1993年，注册资本6088万(约1000万USD)，是一家专注于高精度PID阀门定位器，阀门控制单元，阀门位置反馈器、智能自控阀、比例调节阀、过程控制阀、高洁净泵、均质混合泵、清洗技术、压力容器和管道安全控制技术、高洁净管材和管道配件，集研发、生产与销售为一体的国家高新技术企业。产品用途涉及行业和领域有生物制药、食品饮料、酿酒、精细化工等工业领域。东正领先的技术和持续创新解决方案，对满足全球，尤其是新兴市场不断增长生物制药和食品饮料行业的需求起到了积极作用。

东正制造的产品母材料、加工技术、焊接技术、表面处理等技术指标均已达到国际领先水平。且符合ASME BPE、EHEDG、FDA、3A等一系列国际标准和规范要求。先后通过了由德国 TÜV 机构实施的欧盟承压设备指令(PED-97/23/EC)和(MD-06/42/EC)认证；美国 3A机构实施的3-A卫生标准认证；中国安全阀特种制造设备(TS)许可证和中国质量认证中心CQC ISO9001:2015 质量管理体系认证等多项国际权威认证。

东正凭借领先的技术、优异的品质和完善的售后服务体系，公司荣获为《国家高新技术企业》，《浙江省著名商标》、《科技型企业》、《创新型企业》、《专利示范企业》、《研发中心企业》，《守合同重信用AAA企业》等众多荣誉称号。





## Leading from innovation, innovation from the professionalism! Donjoy's professionalism and quality come from the spirit of innovation!

Donjoy was founded in 1993, with registered capital RMB 60.88 million (about 10million USD) We focus on developing high-precision PID valve positioner, Valve Control unit, Valve Position feedback device, intelligent automatic control valve, proportional valve, process control valve, high purity pump, homogeneous mixing pump, cleaning technology, pressure vessel, pipeline safety control technology, high clean pipe fitting&pipeline accessories and integrating r&d, production and sales as an integrated national high-tech enterprises. Donjoy's products are widely used in bio-pharmaceutical, food and beverage, wine, fine chemicals and other industrial fields. Donjoy's leading technology and innovation solutions meets growing demand in the industry of bio-pharmaceutical, food and beverage from the whole world, special emerging market.

Raw material, processing technology, welding technology, surface treatment and other technology from Donjoy have achieved advanced level in international market. It also complies with a series of international standards and specifications such as ASME BPE, EHEDG, FDA and 3A , It has passed the EU Pressure Equipment Directive (PED-97/23/EC) and (MD-06/42/EC) issued by the German TÜV organization; the 3-A health standard certification issued by the 3A organization; China Safety Valve Special Manufacturing Equipment (TS) License , China Quality Certification Center (CQC) and Quality Management System Certification (ISO9001:2015) and many other international authoritative certifications.

With advanced technology, excellent quality and perfect after-sales service system, Donjoy was awarded as National High-tech Enterprise, Provincial Famous Trademark, Science and Technology Enterprise, Innovative Enterprise, Patent Demonstration Enterprise, R & D Center Enterprise, AAA Credit Enterprise and many other honorary.



全面的创新技术能力  
为您带来创造性的解决方案



## Comprehensive innovation technology, capabilities Bring you creative solutions

东正拥有诸多领先的产品技术，如各种比例调节阀、过程自控阀、生物制药隔膜阀、防混双座阀、压力容器和管道安全控制技术、清洗技术、高洁净转子泵、螺杆泵、离心泵、自吸泵、均质乳化泵、均质混合泵、卫生管件和无菌管件等.....

Donjoy owes many leading technology products, such as various proportioning regulating valve, process automatic control valve, pharmaceutical diaphragm valve, mixed double seat valve, pressure vessel and pipeline safety control technology, clean technology, high cleanliness rotor pump, screw pump, centrifugal pump, self-priming pump, homogeneous emulsion pump, homogeneous mixing pump, sanitary fittings, aseptic pipe fittings and so on.

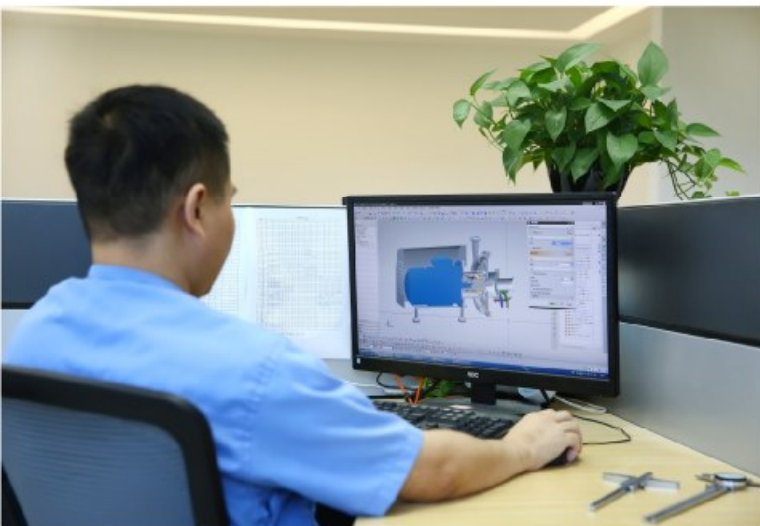


企业的成功源于创新。东正的成功基于创始人“开拓创新、追求卓越”的创新精神，1994年东正开发了第一只高洁净的蝶阀，这只蝶阀是东正的起始点。

控制器的研发成就完美的过程自动控制，2004年东正成功研发了技术领先的阀门定位器、阀门控制单元。

高洁净泵的研发确保物料输送的洁净，2006年东正成功研发了高精度的转子泵、离心泵、混合泵、自吸泵。

我们一直走在行业与时代的前沿，把不断革新、日新月异的市场发展和客户需求作为自身最大的挑战。东正有自己的独立的思维和视野，始终保持领先致力于产品在新经济领域中的开发和应用。未来我们将一如既往的坚持以技术创新、以顾客为导向走向新的成功。



Success of an enterprise stems from innovation. Donjoy's success is based on the founder's innovative spirit of "pioneering innovation and pursuing excellence". In 1994, Donjoy developed the first highly purity butterfly valve, which was the starting point of Donjoy.

Research and development of the controller achieves perfect automatic process control. In 2004, Donjoy has successfully developed advanced valve positioner and valve control unit.

Research and development of high purity pump to ensure the purity of medium transportation. In 2006, Donjoy has successfully developed high precision lobe pump, centrifugal pump, mixing pump and self-priming pump.

We are always at the forefront of the industry and times, taking the continuous innovation of technology, rapid market development and customer demand as our biggest challenge. Donjoy has its own independent thought and horizons, and always maintains a leading position in the development and application of products in the new economic field. In future, we will continue to adhere to technological innovation and customer-oriented towards new success.



## 精益加工车间 Lean processing workshop



东正以科学技术领先为第一生产力，也是企业核心竞争力。只有不断投入核心技术研发和创新，不断追求卓越、精益求精、以先进生产设备，严格的质量管理体系，严谨的检测流程、保证每款产品的优良性能。

Donjoy takes leading in science and technology as the first productivity as well as the core competitiveness of the enterprise. With continuous investment in core technology research, development and innovation; constant pursuit of prominence and excellence; advanced production equipment; strict quality management system; and rigorous testing process, we ensure excellent quality and performance of every product.





机器人生产线 Robot production line

# 装配车间 Assembly workshop



# 荣誉与资质 Honor and qualification

|   |  |
|---|--|
|    | <p><b>3A</b></p> <p>东正是美国3A认证组织的成员。3A是一个自愿组织，致力于维护公共卫生和奶制品产品质量通过独特的行业监管程序的设备，用于处理乳制品的卫生标准3-A。</p> <p>Donjoy is a member of US 3A Certification Organization, 3A is a voluntary organization dedicated to maintaining the quality of public health and dairy products through a unique industry regulatory process for the treatment of dairy product hygiene standards 3-A.</p> <ul style="list-style-type: none"> <li>◆54-02 (Diaphragm-Type Valves)-NUMBER: 1580-隔膜阀</li> <li>◆02-11 (Centrifugal and Positive Rotary Pumps) NUMBER: 1579-高洁净泵</li> <li>◆85-03 (Double-Seal Mixproof Valves) NUMBER: 1797-双座防混阀</li> <li>◆64-03 (Pressure Reducing and Back Pressure Regulating Valves ) NUMBER: 1764-减压阀&amp;调节阀</li> <li>◆53-05 (Compression-Type Valves) -NUMBER: 1782-单座阀(单向阀)</li> <li>◆68-03 (Ball-Type Valves) NUMBER: 1785-球阀</li> <li>◆55-02 (Boot Seal-Type Valves) NUMBER: 1783-无菌取样阀</li> <li>◆04-02 (Personnel Access Ports for Wet Applications) NUMBER: 1786-人孔。</li> <li>◆63-03 (Sanitary Fittings) NUMBER: 1581-卫生管件</li> </ul> |
|    | <p><b>PED/97/23/EC&amp;MD/06/42/EC</b></p> <p>由德国TÜV机构实施的欧盟承压设备安全指令 (PED-97/23/EC)，机械安全指令MD-06/42/EC。</p> <p>EU Pressure Equipment Safety Directive (PED-97/23/EC), Machinery Safety Directive MD-06/42/EC, implemented by TÜV, Germany.</p> <ul style="list-style-type: none"> <li>◆MD/06/42/EC NUMBER: 705201402401-00 - LOBE PUMP转子泵 ◆MD/06/42/EC NUMBER: 705201616101-00 - Centrifugal pump 离心泵</li> <li>◆PED/97/23/EC NUMBER: DGR - 0036-QS-1153-14-Valves 阀门系列</li> </ul>  |
|   | <p><b>安全阀特种制造许可证(TS) Safety valve special manufacturing license</b></p> <p>东正通过了安全阀特种制造许可证，目前是国内首家通过“高洁净安全阀特种制造许可证”的企业(安全附件及安全保护装置)。</p> <p>◆其证书编号：TSF 733008-2019</p> <p>Donjoy has passed the safety valve special equipment manufacturing license. Recently, is the first enterprise in China to pass the "Special Manufacturing License for High Clean Safety Valves" (safety accessories and safety protection devices). ◆Certificate number: TSF 733008-2019</p>   |
|  | <p><b>FDA.177.2600</b></p> <p>东正制造的高洁净阀门和泵以及流体设备等，与物料接触密封面全部通过或符合美国食品和药品管理局和联邦法规第21条即，CFR 21 FDA177.2600和FDA177.1550认证，其涵盖：EPDM VITON (FPM) SILICON HNBR 等橡胶和PTFE 塑料材料。 ◆符合美国 3-A-18-03-CLASS - II</p> <p>The seals of Donjoy's high-cleaning valves, pumps and fluid equipment that contact with material, all pass or comply with the US Food and Drug Administration and Federal Regulations issue 21, i.e. CFR 21 FDA177.2600 and FDA177.1550 certification. The seals cover : EPDM, VITON (FPM), SILICON, HNBR and other rubber &amp; PTFE plastic material. ◆Meets US 3-A-18-03-CLASS - II</p>   |
|  | <p><b>ISO-9001-2015</b></p> <p>东正通过中国质量认证中心CQC ISO9001-2015/GB/T19001-2015企业质量管理体系认证。 ◆其证书编号：00117Q38464R4M/3302</p> <p>Donjoy passed the China Quality Certification Center CQC, ISO9001-2015/GB/T19001-2015 enterprise quality management system certification. ◆Its certificate number is 00117Q38464R4M/3302.</p>  |
|  | <p><b>卫生许可证 Hygiene License</b></p> <p>东正通过了省卫生厅卫生阀门、卫生管件等检验且获得了其颁发的证书。 ◆其批准文号：第0056号</p> <p>Donjoy passed the inspection of sanitary valves and sanitary fittings of the Provincial Health Department and obtained the certificate issued by it. ◆Its approval number: No. 0056</p>   |
|  | <p><b>国家高新技术企业 National High-Tech Enterprise</b></p> <p>东正，经过20余年发展和技术研发，2011年被评定为国家高新技术企业。</p> <p>Donjoy, after more than 20 years of development and technology research &amp; development, was assessed as a national high-tech enterprise in 2011.</p>   |
|  | <p><b>浙江省著名商标 Zhejiang province famous trademark</b></p> <p>东正，凭借先进的技术、优良的品质和完善的售后服务体系，2012年被浙江省工商厅评定为浙江省著名商标。</p> <p>Donjoy, by virtue of advanced technology, excellent quality and perfect after-sales service system, was recognized as a famous trademark of Zhejiang Province by the Industrial and Commercial Bureau of Zhejiang Province in 2012.</p>  |

东正不但拥有以上认证和荣誉，且被评定为省科技型、创新型、专利示范、研发中心、重合同守信用等诸多荣誉。并拥有100多项专利技术。

Donjoy not only owes above certification and honors, but also has been evaluated as provincial science and technology type, innovation, patent demonstration, research and development center, contract keeping and other honors. It also owes more than 100 patented technologies.

## 荣誉与资质 Honor and qualification

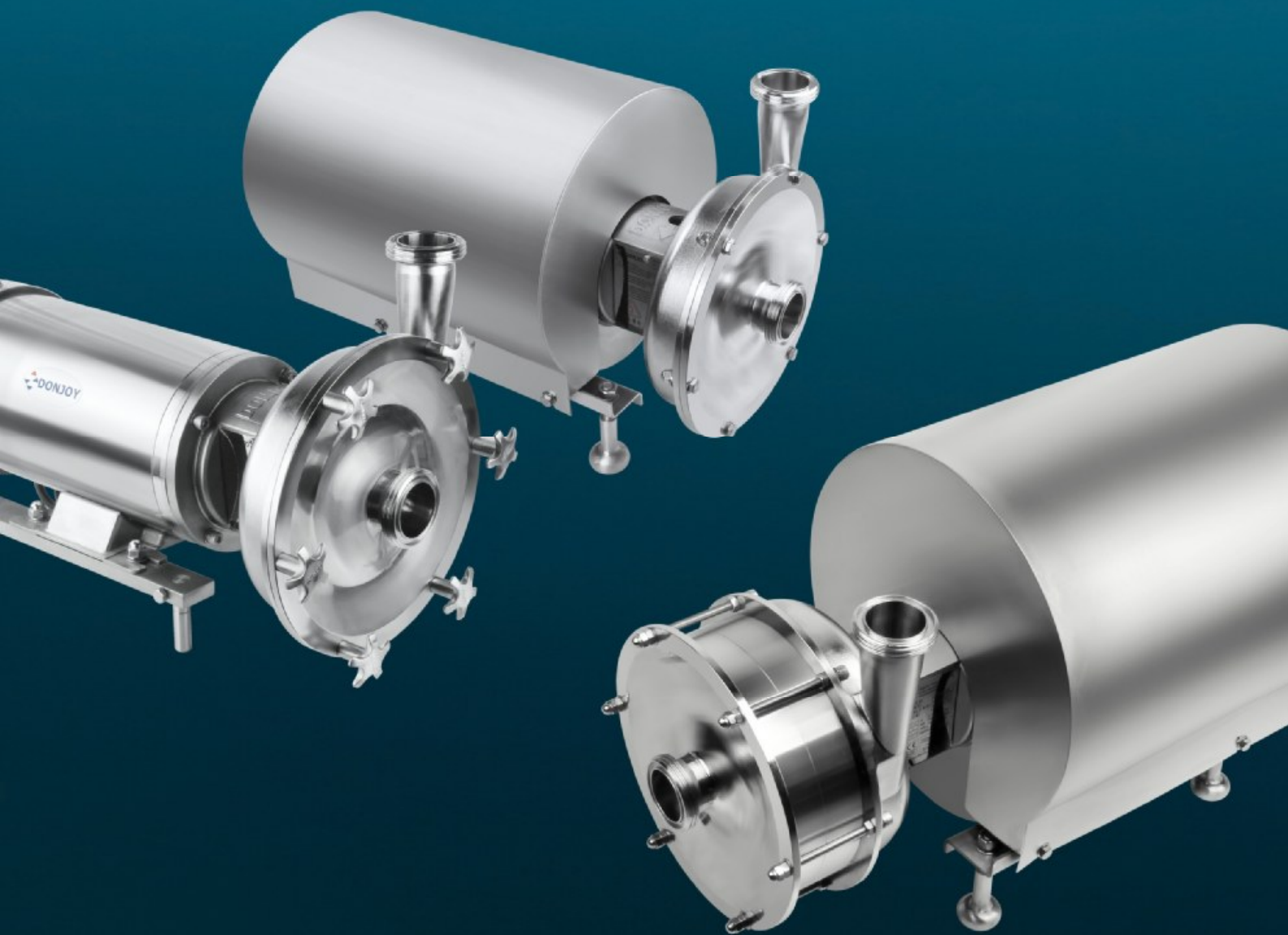


东正不但拥有以上认证和荣誉，且被评定为省科技型、创新型、专利示范、研发中心、重合同守信用等诸多荣誉。并拥有100多项专利技术。

Donjoy not only owes above certification and honors, but also has been evaluated as provincial science and technology type, innovation, patent demonstration, research and development center, contract keeping and other honors. It also owes more than 100 patented technologies.

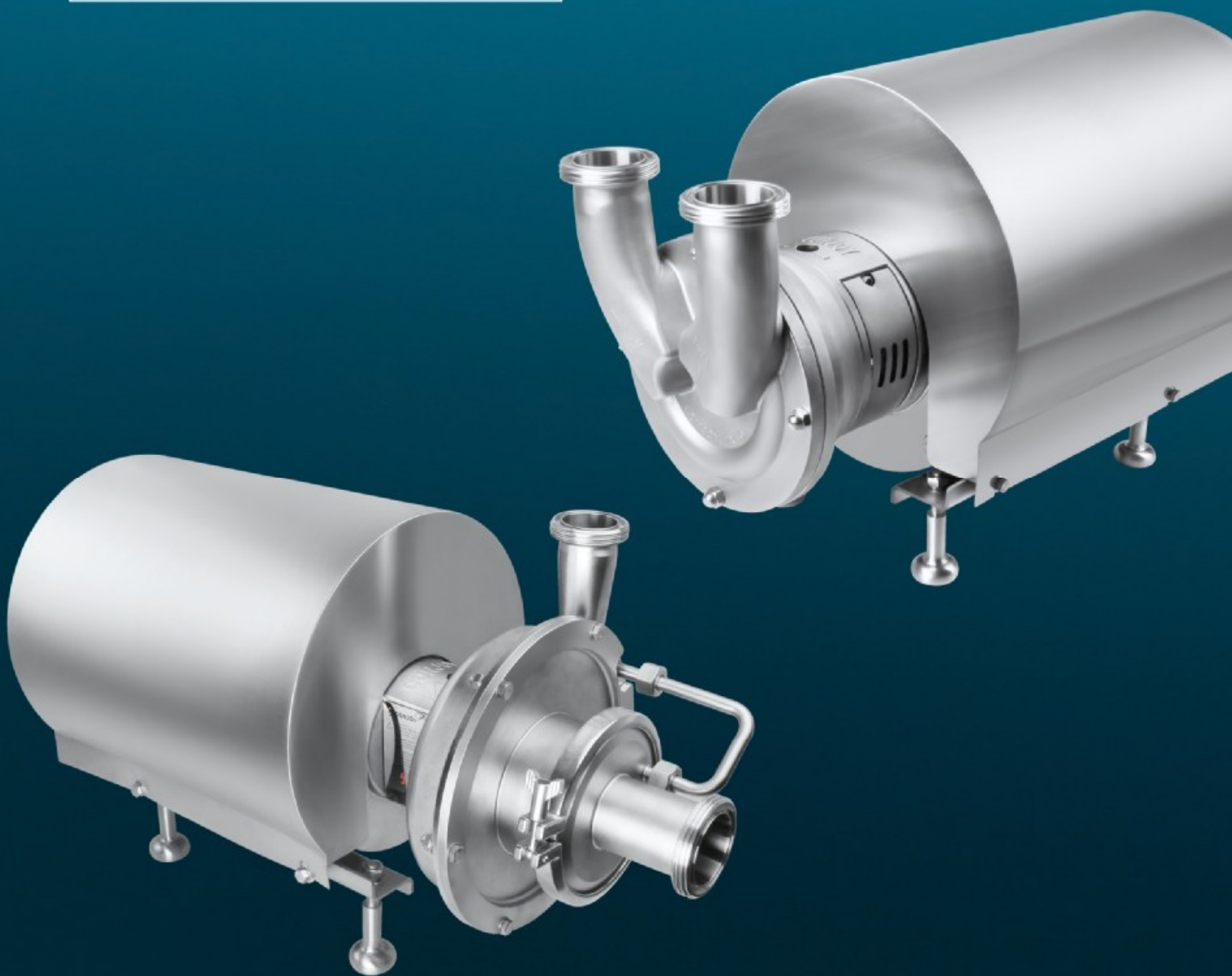
# Centrifugal pump series

离心泵系列



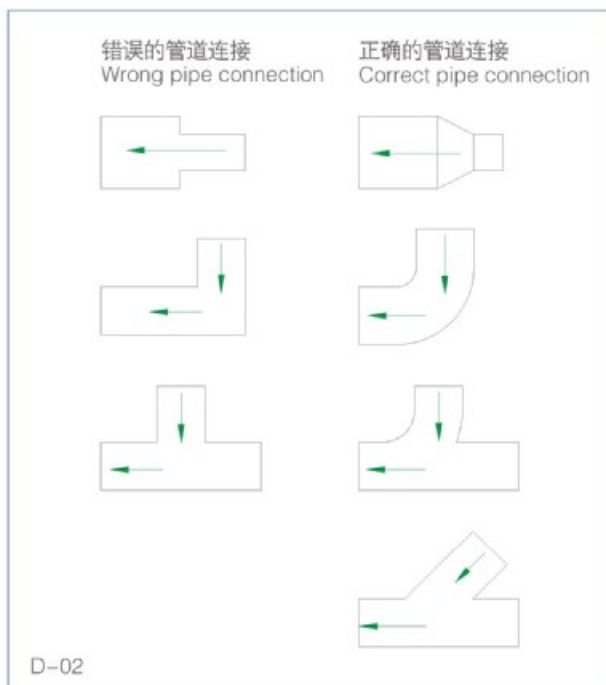
# Self-priming pump series

自吸泵系列



## 工艺管道连接对泵使用的影

## The effect of pipe connections on pump usage

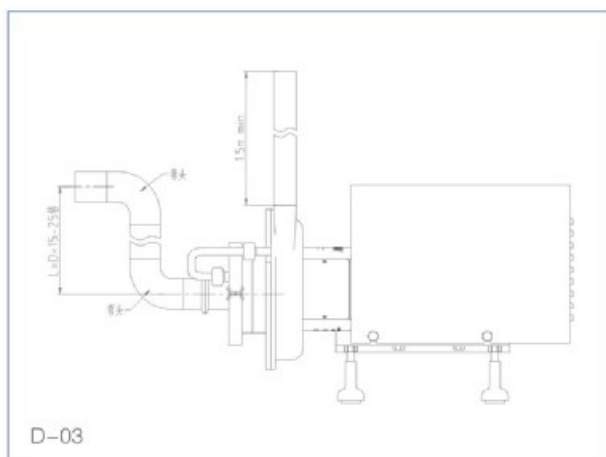


### 泵进口/出口连接管道的建议

液体在管道中会有能量的损失，分为沿程损失和局部阻力损失，这两种的损失最终会影响流量和扬程的损失。因此管道内部越光滑沿程损失越小，管径变化越小局部助力损失越小。因此尽可能不采用粗糙管道内壁和错误的连接方式，不要采用缩径过大、弯曲过多、弯曲过小等工艺管路。为了提高泵的使用寿命和泵的性能请尽量减少工艺管道弯曲和缩径等。(如图(D-02)所示)

### Suggestion for pump inlet/outlet connect to pipeline

Liquid in the pipeline will have energy loss, divided into along damage and local resistance damage, which will eventually affect the flow and head loss. Therefore, the smoother the inner part of the pipeline, the smaller the damage along the path; the smaller the diameter change, the smaller the local power loss. As a result, rough inner wall and connection should be avoided as much as possible. do not use the shrinkage diameter too large, too much bending, bending too small and so on process pipelines. In order to improve the service life of the pump and the performance of the pump, please try to reduce the process pipe bending and shrinkage diameter. (As shown in(D-02))

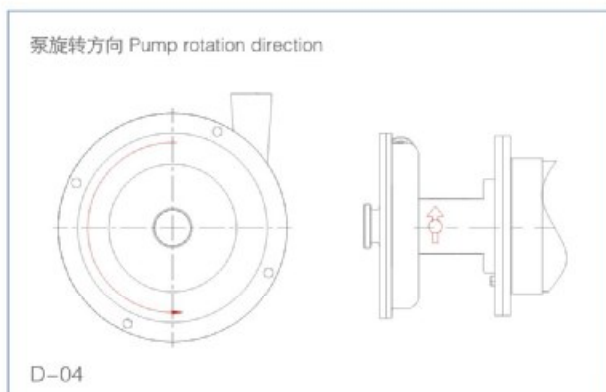


### 泵进口/出口连接距离的建议

为确保自吸式离心泵产生一定的自吸能力及稳定运行和延长使用寿命，要求严格按照泵进口和出口尺寸安装，严禁使用小于出口尺寸的进口管道，否则容易造成泵抖动、噪音、汽蚀余量增加等现象；泵进口连接需要保持一定的高度；建议直管高度按照进口管道尺寸的15-25倍直径。(如图(D-03)所示)

### Suggestions for pump inlet/outlet connection distance

In order to ensure a certain self-priming capacity & stable operation and prolong the service life of the self-priming centrifugal pump, it is required to install strictly according to the inlet and outlet dimensions of the pump. It is strictly forbidden to use inlet pipeline smaller than the outlet size, otherwise it will easily cause pump shake, noise, NPSH increase, etc.; the pump inlet connection needs to maintain a certain height; it is recommended that the straight pipe height be 15-25 times the diameter of inlet pipeline. (As shown in (D-03))



### 泵电机和叶轮旋转方向

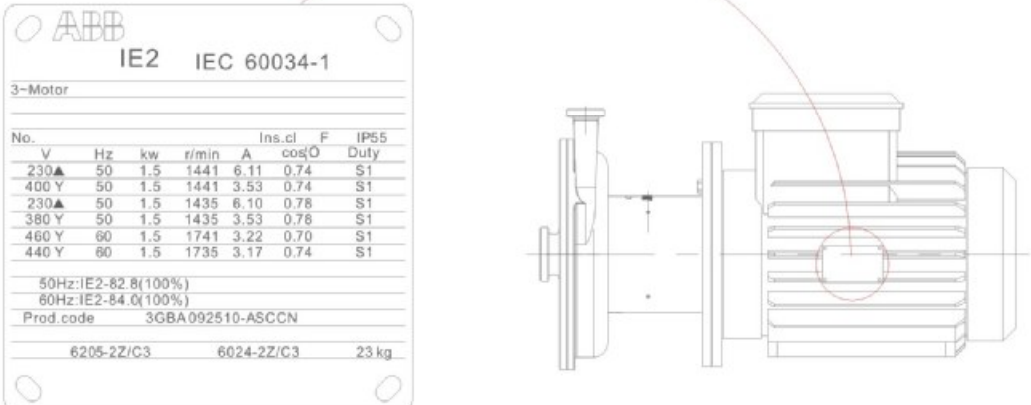
电机和叶轮的旋转方向是一致的，安装调试时要注意旋转方向，否则会产生流量和扬程不正常，长时间反向旋转，会产生机封损坏等情况。(如图(D-04)箭头方向所示)

### Pump motor and impeller rotation direction

Rotation direction of motor and impeller is same. Pay attention to rotation direction when installation and debugging. Otherwise, the flow and head will be abnormal. Long-term reverse rotation will result in damage to mechanical seal.(As picture(D-04)arrow direct shown)

# 工艺管道连接对泵使用的影响

## The effect of pipe connections on pump usage



The image shows an ABB motor rating plate on the left and a technical drawing of a pump assembly on the right. A red circle on the drawing highlights the motor's connection point, which is linked by a red line to the rating plate. The rating plate contains the following information:

|                             |    |            |     |       |         |         |
|-----------------------------|----|------------|-----|-------|---------|---------|
| ABB                         |    |            |     |       |         |         |
| IE2 IEC 60034-1             |    |            |     |       |         |         |
| 3-Motor                     |    |            |     |       |         |         |
| No.                         | V  | Hz         | kw  | r/min | Ins. cl | F Duty  |
| 230▲                        | 50 | 50         | 1.5 | 1441  | 6.11    | 0.74 S1 |
| 400 Y                       | 50 | 50         | 1.5 | 1441  | 3.53    | 0.74 S1 |
| 230▲                        | 50 | 50         | 1.5 | 1435  | 6.10    | 0.78 S1 |
| 380 Y                       | 50 | 50         | 1.5 | 1435  | 3.53    | 0.78 S1 |
| 460 Y                       | 60 | 60         | 1.5 | 1741  | 3.22    | 0.70 S1 |
| 440 Y                       | 60 | 60         | 1.5 | 1735  | 3.17    | 0.74 S1 |
| 50Hz: IE2-82.8(100%)        |    |            |     |       |         |         |
| 60Hz: IE2-84.0(100%)        |    |            |     |       |         |         |
| Prod. code 3GBA092510-ASCCN |    |            |     |       |         |         |
| 6205-2Z/C3                  |    | 6024-2Z/C3 |     | 23 kg |         |         |

说明: 铭牌图片仅供格式参考, 最终数据以实际铭牌为准。  
Remark: The format of the rating plate is for reference only, the final figure will be subject to the actual rating plate.

### 宽电压电机 Wide voltage motor

| 功率 Power(KW) | 电压范围 Voltage   | 功率 Power(KW) | 电压范围 Voltage   |
|--------------|----------------|--------------|----------------|
| 0.55         | 210V-230V/50HZ | 4.0-5.5      | 360V-400V/50HZ |
| 0.75         |                | 7.5-11       |                |
| 1.1-1.5      | 420V-460V/60HZ | 15-18.5      | 420V-460V/60HZ |
| 2.2-3.0      |                | 22-30        |                |

注意: 电机采用 IEC EN IE2 能效等级, PTC 热敏电阻。(相当于中国二级能效)  
Note: The motor adopts IEC EN IE2 energy efficiency class, PTC thermistor. (Corresponding to China level two energy efficiency)  
注意: 其他电机功率、电压、频率等, 请联系东正。  
Note: Other motor power, voltage, frequency, etc., please contact DONJOY

### O型圈配置 O-ring configuration

我们所采用密封橡胶都符合 FDA 177.2600; 3-A-18-03; Class II; USP Class VI Chapter 88 GB 4806.11; 等各种卫生高洁净的要求。

EPDM=标准

适用范围: 温度 -10°C 到 130°C; PH 值约 5-9, 可耐受各种卫生领域介质及工业化学品, 成本低(推荐)。

FKM(Viton)=选项

适用范围: 温度 -10°C 到 150°C; 可耐受各种卫生领域介质及工业化学品、油品等各种介质。

FFKM=选项

适用范围: 温度 -30°C 到 250°C; 可耐受各种卫生领域介质及工业化学品、油品等各种介质, 几乎可以涵盖所有介质, 成本较高。

HNBR=选项

适用范围: 温度 -10°C 到 150°C; 可耐受各种卫生领域介质及工业油品等各种介质, 特别适用于油品。

The sealing rubbers we use are in compliance with hygienic and high purity requirements, such as FDA 177.2600; 3-A-18-03; Class II; USP Class VI Chapter 88 GB 4806.11 and so on.

EPDM=Standard

Scope of application: Temperature -10 °C to 130°C; PH value about 5-9, can tolerate with various media in the health field and industrial chemicals, low cost (recommended)

FKM(Viton)=Option

Scope of application: Temperature -10°C to 150 °C; can tolerate with various media in the health field, industrial chemicals, oils and so on.

FFKM=Option

Scope of application: Temperature -30°C to 250°C; can tolerate with various media in the health field, industrial chemicals, oils, etc., can cover almost all media, higher cost

HNBR=Option

Scope of application: Temperature -10 °C to 150°C; can tolerate with various media in the health field, industrial oils, etc., especially suitable for oil products.

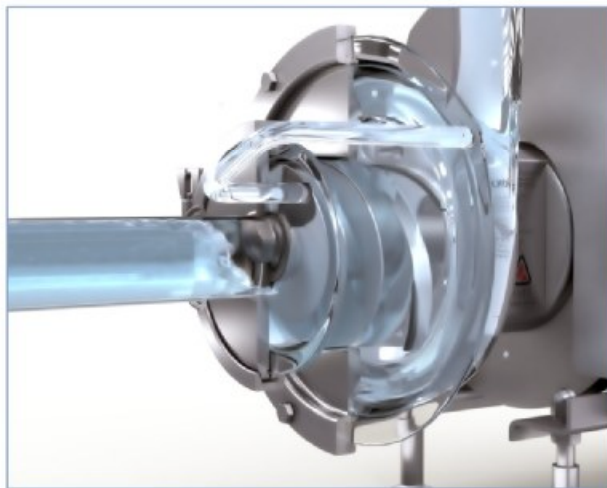
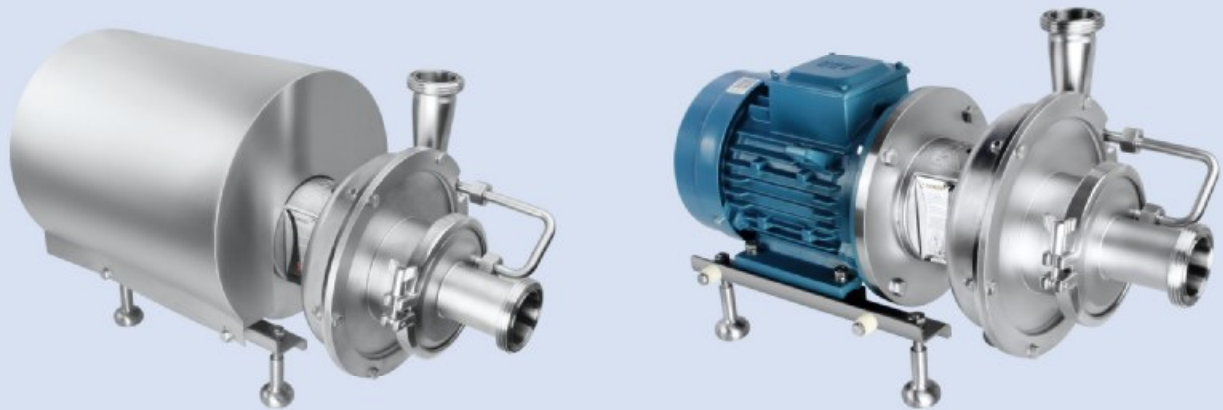




# ZLX 系列自吸式离心泵

## ZLX series self-priming centrifugal pump

高效率、低噪音、CIP回程、物料输送、高洁净解决方案  
 High efficiency, low noise, CIP backhaul, material transport, high clean solution



ZLX 系列是一款自吸式离心泵，它可以在CIP系统中作为自吸回流循环泵，也可作为离心泵使用，输送物料最高粘度500CP.S(mPas)。该泵具有效率高、噪音低、高洁净、过液体部件易清洗等技术优势。

ZLX Series is a self priming centrifugal pump. It can be applied to CIP system as self – priming backflow circulating pump, also as centrifugal pump, material-transport. Max. viscosity 500CP.S(mPas). Advantages of this pump are high efficiency, low noise, high cleaning and easy cleaning of liquid components and so on.

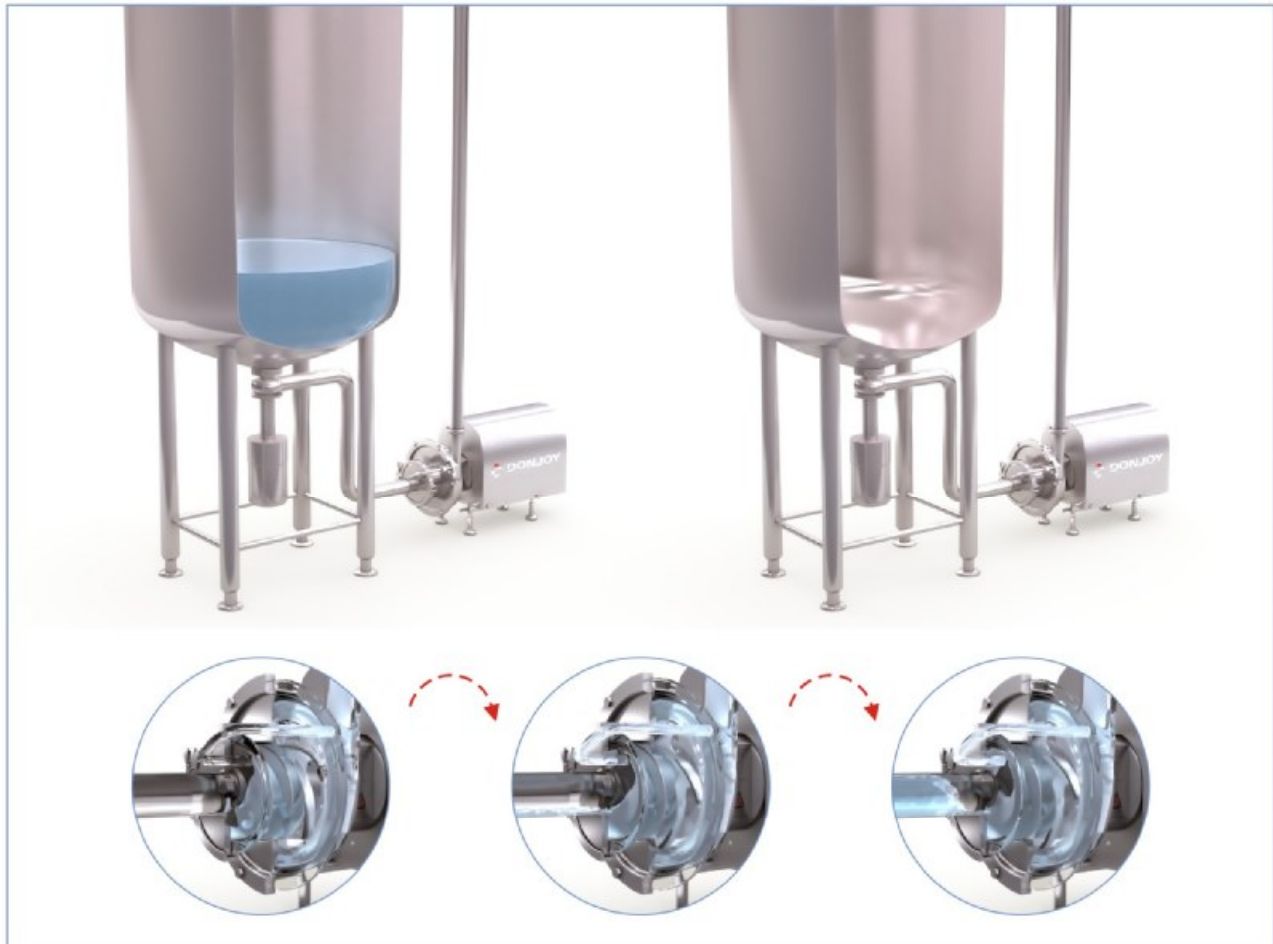
### 技术参数 Technical Specifications

|                        |  |
|------------------------|--|
| 最大流量 Max Flow rate     | 50m <sup>3</sup> /h  |
| 最高扬程 Max Head          | 66M  |
| 最高温度 Max temperature   | -20°C 到 150°C / -20°C to 150°C   |
| 材质 Material            | 304 /316L, 1.431/1.4404, ASME BPE 316L, 1.4435 NB2 Fe≤0.5%   |
| 表面处理 Surface treatment | ≤ Ra0.8 μ m, ≤ Ra0.6 μ m, ≤ Ra0.4 μ m  |
| 机封 Mechanical seal     | 单机封、双机封 Single mechanical seal, double mechanical seal (见配置方案 see configuration scheme)            |
| 进/出口连接 Inlet/Outlet    | 螺纹、卡箍、法兰、无菌法兰, Threaded, clamped, flange, Aseptic flange   |
| 认证 Certification       | 3-A-02-10(N.O.1579); MD/05/42-EC (N.O.70521616101-00); FDA 177.2600; USP CLASS-II; EG/VO1935/2004; |

# ZLX 系列自吸式离心泵

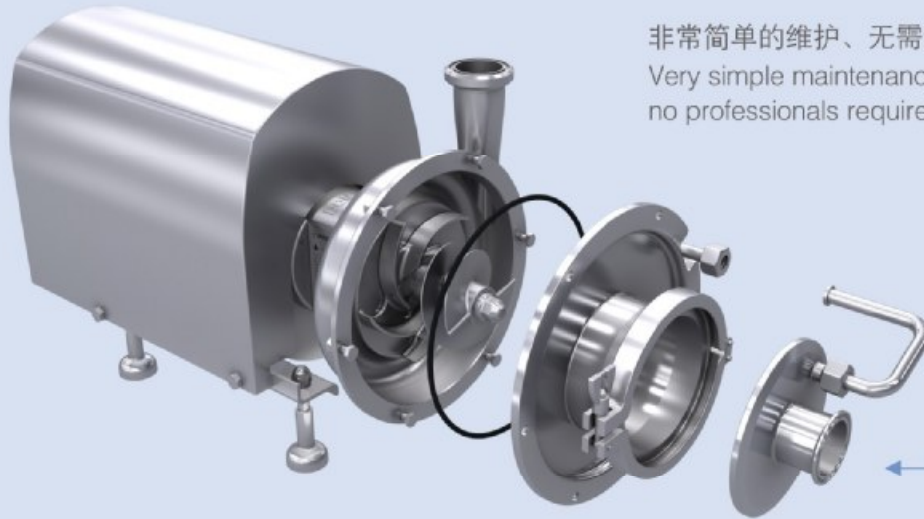
## ZLX series self-priming centrifugal pump

### 典型的应用 Typical Application



### ZLX 系列各种应用 ZLX series' various application

| 啤酒厂 Brewery  | 乳品 Dairy products   | 食品 Food   | 其他应用 Other Application   |
|--|---|---|--|
| <ul style="list-style-type: none"> <li>● 啤酒 Beer</li> <li>● 麦汁 Wort</li> <li>● 酵母 Yeast</li> <li>● 水 Water</li> <li>● CIP 解决方案<br/>CIP solution</li> </ul> | <ul style="list-style-type: none"> <li>● 牛奶 Milk</li> <li>● 奶油 Cream</li> <li>● 酸奶 Yogurt</li> <li>● 乳清 Whey</li> <li>● 盐水 Saline</li> <li>● CIP 解决方案<br/>CIP solution</li> </ul> | <ul style="list-style-type: none"> <li>● 食用油 Edible Oil</li> <li>● 调味汁 Soup-sauce</li> <li>● 高汤 Soup-stock</li> <li>● 盐水 Saline</li> <li>● 调味料 Flavouring</li> <li>● 冰淇淋混合料<br/>Ice cream mixture</li> <li>● CIP 解决方案<br/>CIP solution</li> </ul> | <ul style="list-style-type: none"> <li>● CIP 解决方案<br/>CIP solution</li> <li>● 储罐清空<br/>Storage tank empty</li> </ul> |



非常简单的维护、无需专用工具、专业人员  
 Very simple maintenance, no special tools required,  
 no professionals required



### 技术优势

- 维护拆卸和安装时，无需专业人员和专用工具，即可完成。
- 初始使用安装调试时，即使出现短暂反向旋转也不会损坏。
- 叶轮和轴之间是通过键槽连接固定，叶轮和机封动环之间是通过销钉固定，机封静环和泵体之间是通过异形法兰固定。
- 兼容单机封和双机封，只需要更换机封即可实现。

### Technical Advantages

- Maintenance disassembly and installation can be completed without professional staff and special tools.
- Initial use of installation debugging, even if a short reverse rotation will not be damaged.
- Impeller and shaft are connected by keyway; impeller and mechanical seal rotating ring are connected by pin; mechanical seal static ring and pump body are connected by special-shaped flange.
- Compatible with single and double machine seal, only need to change machine seal.

# ZLX 系列自吸式离心泵各种配置

## ZLX series self-priming centrifugal pump various configurations



法兰 进 / 出口  
Flange Inlet / Outlet



螺纹 进 / 出口  
Thread Inlet / Outlet



螺纹由任  
Union Inlet/Outlet



90° ....135° 倾斜出口  
90° ....135° inclined outlet



卡箍进/出口  
Clamp Inlet/Outlet



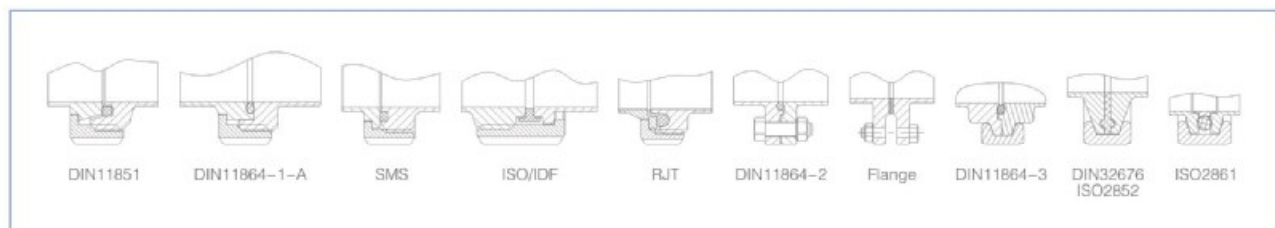
无菌法兰(DIN 11864)进/出口  
Aseptic Flange (DIN 11864) Inlet/Outlet

### 泵进口/出口连接标准

连接方式：螺纹、卡箍、法兰、无菌法兰、KF、等  
标准：DIN SMS ISO IDF RJT ASME BPE 3A I-line

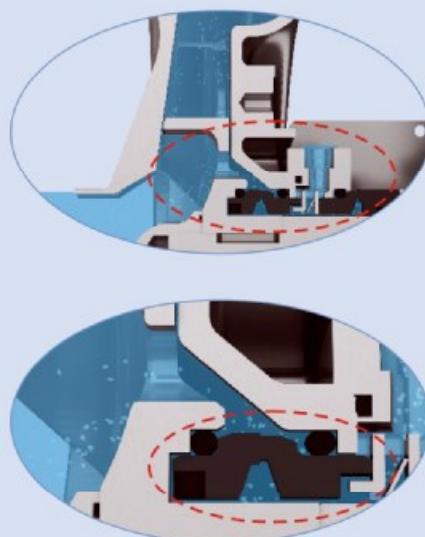
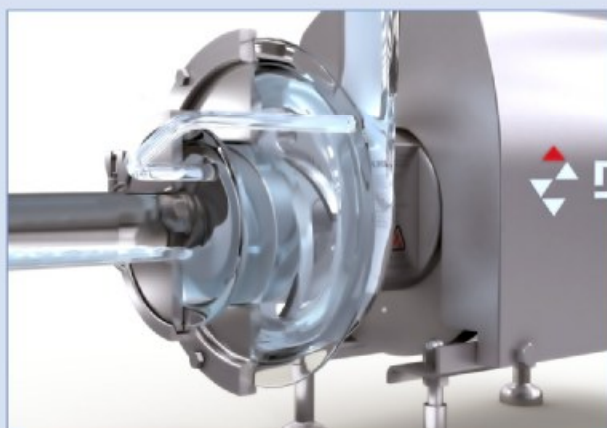
### Pump Inlet/outlet Connection Standard

Connection: Threaded, Clamped, Flange, Aseptic flange, KF etc.  
Standard: DIN SMS ISO IDF RJT ASME BPE 3A I-line



# DJ-ZLX 系列自吸式离心泵机封设计

## DJ-ZLX series self-priming centrifugal pump mechanical seal design



### 机封系统

DONJOY DJ-ZLX 系列自吸式离心泵机封，联合欧洲瑞典著名公司合作研发，机封设计具有压力平衡设计、超长使用寿命、极易拆装维护、无需特殊专用工具，卫生洁净符合和认证：欧盟 EHEDG, 美国 3-A-02-11, FDA1772600 等高洁净要求。并有丰富的机封配置方案。

### Mechanical Seal Features

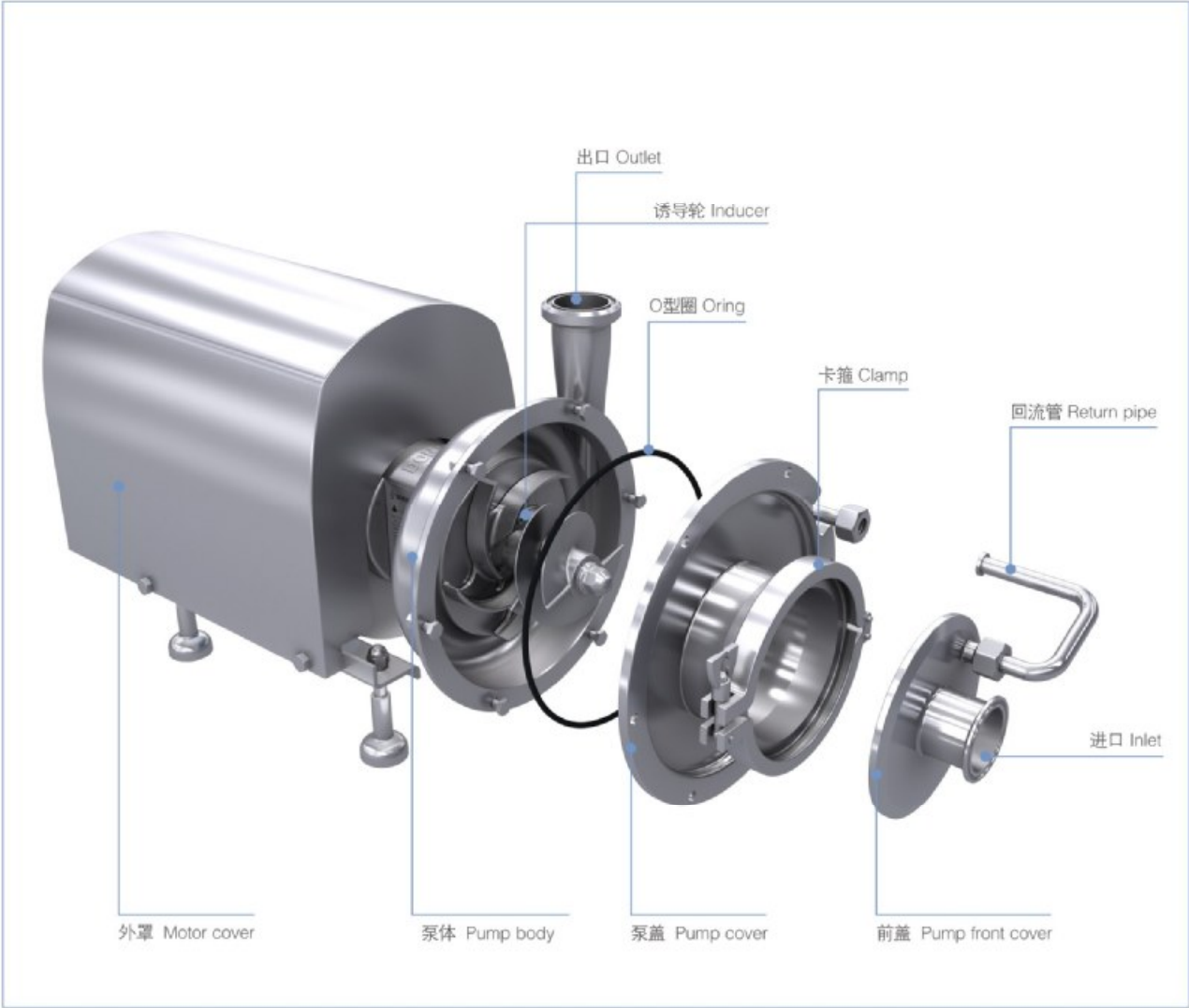
Donjoy DJ-ZLX series self-priming centrifugal pump mechanical seal is researched and developed together with European Swedish famous company. The mechanical seal is designed with pressure balance and super long working life, can be disassembled and maintained easily without special tools. The sanitary purity is according to EU EHEDG, USA 3-A-02-11, FDA1772600 and so on. and has lots of configuration.

### 机封配置 Mechanical Seal Configuration

|                 |               |
|-----------------|---------------|
| 1) SIC/C/EPDM   | 标准配置 Standard |
| 2) SIC/C/FKM    | 选型配置 Optional |
| 3) SIC/C/HNBR   |               |
| 4) SIC/SIC/EPDM |               |
| 5) SIC/SIC/FKM  |               |
| 6) SIC/SIC/HNBR |               |
| 7) TC/TC/EPDM   |               |
| 8) TC/TC/FKM    |               |
| 9) TC/TC/HNBR   |               |

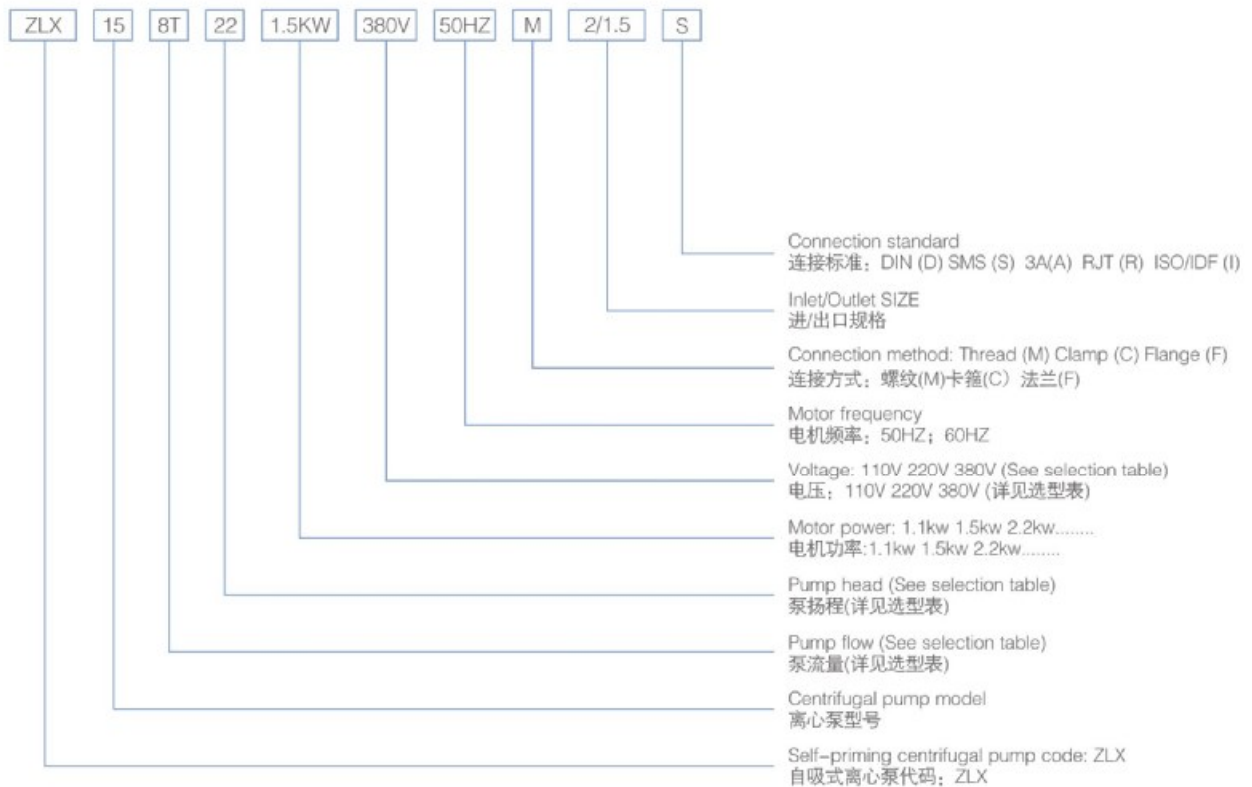
注意：以上配置适用于单机封和双机封。  
Note: Above configurations is suitable for single and double mechanical seal

# ZLX 系列自吸式离心泵 ZLX series self-priming centrifugal pump



# ZLX 自吸式离心泵型号说明

## ZLX self-priming centrifugal pump model instruction



For example:  
 举例: ZLX-15-8T-22-1.5KW-380V-50HZ-M-2/1.5-S

# ZLX 自吸式离心泵选型表

## ZLX self-priming centrifugal pump selection table



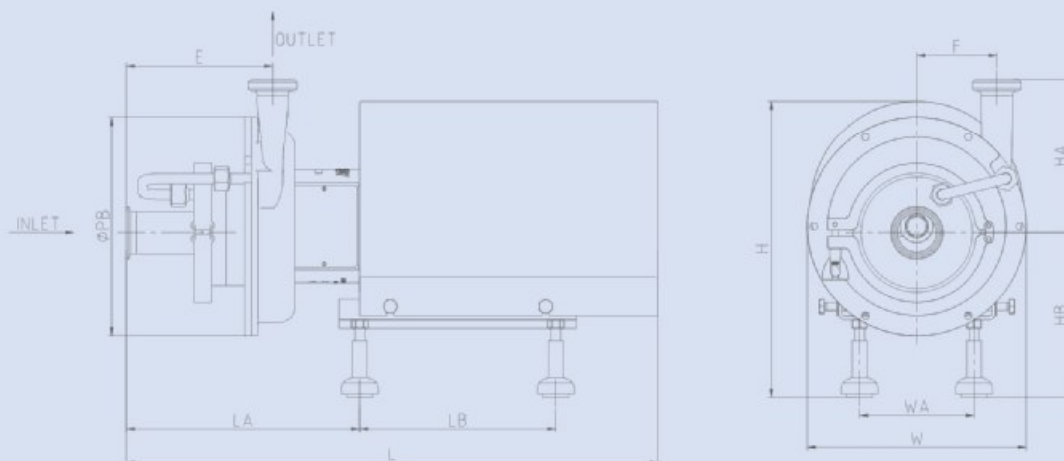
| 型号<br>Model | 电机功率<br>Motor power | 流量<br>Flow rate<br>(m³) | 扬程<br>Head<br>(M) | 进口/出口<br>Inlet&outlet | 重量<br>Weight<br>(KG) |
|-------------|---------------------|-------------------------|-------------------|-----------------------|----------------------|
| ZLX-15      | 1.5KW               | 3                       | 25                | 2"/1.5"               | 42                   |
|             | 1.5KW               | 5                       | 25                |                       | 42                   |
|             | 1.5KW               | 8                       | 22                |                       | 42                   |
|             | 2.2KW               |                         |                   |                       | 42                   |
|             | 2.2KW               | 10                      | 20                |                       | 42                   |
|             | 2.2KW               | 15                      | 19                |                       | 42                   |
|             | 2.2KW               | 18                      | 15                |                       | 42                   |
|             | 3.0KW               |                         |                   |                       | 54                   |
|             | 2.2KW               | 20                      | 13                |                       | 45                   |
|             | 3.0KW               |                         |                   |                       | 54                   |
| ZLX-20-1    | 2.2KW               | 5                       | 32                | 2.5"/2"               | 51                   |
|             | 3.0KW               |                         |                   |                       | 60                   |
|             | 3.0KW               | 10                      | 32                |                       | 60                   |
|             | 4.0KW               |                         |                   |                       | 64                   |
|             | 4.0KW               | 15                      | 31                |                       | 64                   |
|             | 4.0KW               | 20                      | 29                |                       | 64                   |
|             | 4.0KW               | 25                      | 26                |                       | 64                   |
|             | 5.5KW               |                         |                   |                       | 82                   |
|             | 5.5KW               | 30                      | 26                |                       | 82                   |
|             | 5.5KW               | 38                      | 18                |                       | 82                   |
| ZLX20-2     | 5.5KW               | 20                      | 36                | 2.5"/2"               | 86                   |
|             | 5.5KW               | 25                      | 33                |                       | 86                   |
|             | 5.5KW               | 30                      | 32                |                       | 86                   |
|             | 5.5KW               | 36                      | 28                |                       | 86                   |
|             | 7.5KW               | 40                      | 26                |                       | 90                   |
|             | 7.5KW               | 45                      | 24                |                       | 90                   |

| 型号<br>Model | 电机功率<br>Motor power | 流量<br>Flow rate<br>(m³) | 扬程<br>Head<br>(M) | 进口/出口<br>Inlet&outlet | 重量<br>Weight<br>(KG) |         |     |
|-------------|---------------------|-------------------------|-------------------|-----------------------|----------------------|---------|-----|
| ZLX-25      | 4.0KW               | 5                       | 46                | 2.5"/1.5"             | 70                   |         |     |
|             | 5.5KW               | 10                      | 45                |                       | 88                   |         |     |
|             | 5.5KW               | 15                      | 44                |                       | 88                   |         |     |
|             | 5.5KW               | 20                      | 40                |                       | 88                   |         |     |
|             | 5.5KW               | 10                      | 54                |                       | 93                   |         |     |
| ZLX-30      | 5.5KW               | 15                      | 50                | 2.5"/1.5"             | 93                   |         |     |
|             | 5.5KW               | 20                      | 47                |                       | 93                   |         |     |
|             | 7.5KW               | 25                      | 42                |                       | 97                   |         |     |
|             | 7.5KW               |                         |                   |                       | 97                   |         |     |
|             | 7.5KW               | 30                      | 36                |                       | 97                   |         |     |
|             | ZLX-35-1            | 11KW                    | 10                |                       | 66                   | 3"/1.5" | 159 |
|             |                     | 11KW                    | 15                |                       | 61                   |         | 159 |
| 11KW        |                     | 20                      | 61                | 159                   |                      |         |     |
| 11KW        |                     | 25                      | 56                | 159                   |                      |         |     |
| 11KW        |                     | 30                      | 56                | 159                   |                      |         |     |
| 11KW        |                     | 35                      | 51                | 159                   |                      |         |     |
| 15KW        |                     | 40                      | 46                | 172                   |                      |         |     |
| 15KW        |                     | 45                      | 46                | 172                   |                      |         |     |
| 15KW        |                     | 50                      | 41                | 172                   |                      |         |     |
| ZLX-35-2    |                     | 15KW                    | 20                | 64                    | 3"/1.5"              |         | 172 |
|             | 15KW                | 25                      | 62                | 172                   |                      |         |     |
|             | 15KW                | 30                      | 62                | 172                   |                      |         |     |
|             | 15KW                | 35                      | 61                | 172                   |                      |         |     |
|             | 15KW                | 40                      | 59                | 172                   |                      |         |     |
|             | 18.5KW              | 45                      | 56                | 180                   |                      |         |     |
|             | 18.5KW              | 50                      | 51                | 180                   |                      |         |     |



# ZLX 系列自吸式离心泵数据图

## ZLX series self-priming centrifugal pump-data chart

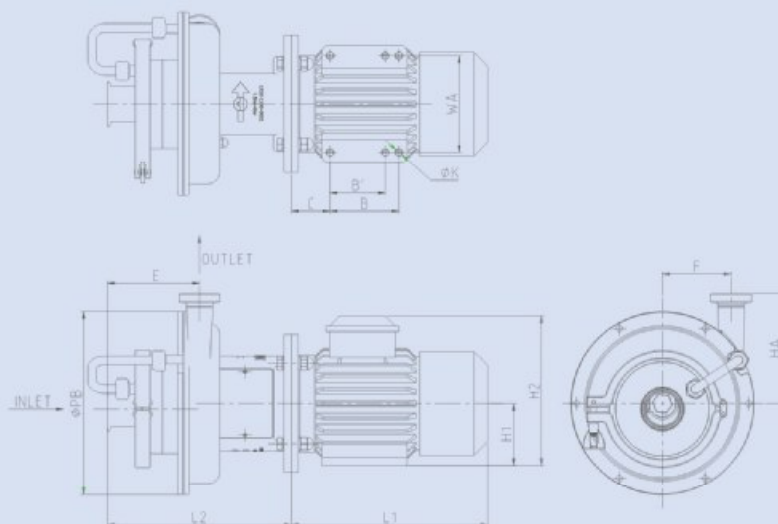


| ZLX 系列<br>ZLX series | 外形安装尺寸 Assembly Dimension |             |              |     |     |     |     |    |     |     |     | 进/出口连接方式 Inlet/outlet connection |     |     |     |                           |     |     |     |
|----------------------|---------------------------|-------------|--------------|-----|-----|-----|-----|----|-----|-----|-----|----------------------------------|-----|-----|-----|---------------------------|-----|-----|-----|
|                      | 功率(KW)<br>Power           | 进口<br>Inlet | 出口<br>Outlet | ΦPB | F   | H   | HB  | HC | LB  | W   | WA  | SMS螺纹连接 Thread connection        |     |     |     | INCH卡箍连接 Clamp connection |     |     |     |
|                      |                           |             |              |     |     |     |     |    |     |     |     | E                                | LA  | L   | HA  | E                         | LA  | L   | HA  |
| ZLX-15               | 1.5-2.2KW                 | 2"          | 1.5"         | 268 | 98  | 362 | 189 | 95 | 240 | 260 | 140 | 187                              | 293 | 658 | 188 | 179                       | 286 | 651 | 181 |
|                      | 3.0KW                     | 2"          | 1.5"         | 268 | 98  | 413 | 218 | 95 | 300 | 320 | 160 | 187                              | 275 | 700 | 188 | 179                       | 268 | 693 | 181 |
| ZLX-20-1             | 3.0KW                     | 2.5"        | 2"           | 282 | 100 | 413 | 218 | 95 | 300 | 320 | 160 | 191                              | 283 | 641 | 208 | 184                       | 275 | 633 | 201 |
|                      | 4.0KW                     | 2.5"        | 2"           | 282 | 100 | 421 | 210 | 95 | 300 | 340 | 190 | 191                              | 279 | 711 | 208 | 184                       | 268 | 700 | 201 |
| ZLX-20-2             | 5.5-7.5KW                 | 2.5"        | 2"           | 282 | 100 | 466 | 231 | 95 | 330 | 380 | 216 | 200                              | 332 | 807 | 208 | 193                       | 320 | 800 | 201 |
| ZLX-25               | 4.0KW                     | 2.5"        | 1.5"         | 328 | 104 | 421 | 211 | 95 | 300 | 340 | 190 | 194                              | 294 | 714 | 218 | 183                       | 283 | 703 | 211 |
|                      | 5.5-7.5KW                 | 2.5"        | 1.5"         | 328 | 104 | 466 | 231 | 95 | 330 | 380 | 216 | 194                              | 328 | 808 | 218 | 183                       | 317 | 796 | 211 |
| ZLX-30               | 5.5-7.5KW                 | 2.5"        | 1.5"         | 328 | 104 | 466 | 231 | 95 | 330 | 380 | 216 | 194                              | 328 | 808 | 218 | 183                       | 317 | 796 | 211 |
| ZLX-35-1             | 11-15KW                   | 3"          | 1.5"         | 363 | 141 | 551 | 260 | 95 | 450 | 470 | 254 | 201                              | 357 | 932 | 243 | 189                       | 345 | 920 | 236 |
| ZLX-35-2             | 15.0KW                    | 3"          | 1.5"         | 363 | 141 | 551 | 260 | 95 | 450 | 470 | 254 | 208                              | 362 | 937 | 243 | 197                       | 351 | 926 | 236 |
|                      | 18.5KW                    | 3"          | 1.5"         | 363 | 141 | 551 | 260 | 95 | 450 | 470 | 254 | 208                              | 362 | 937 | 243 | 197                       | 351 | 926 | 236 |

注意：以上数据图相关尺寸不作为实物最终依据，东正保留对于数据更新权限不再另行通知。  
 Note: The relevant dimensions of the above data diagrams are not regarded as the final basis of the actual object.  
 DONJOY reserves the right to update the data without further notice.

# ZLX 系列自吸式离心泵数据图(不带外罩)

## ZLX series self-priming centrifugal pump-data chart (without cover)

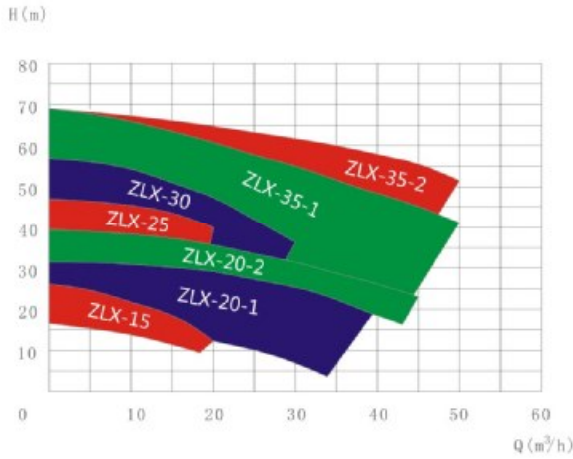


| ZLX 系列<br>ZLX series | 外形安装尺寸 Assembly Dimension |             |              |     |     |     |     |     |     |     |    |     |     | 进/出口连接方式 Inlet/outlet connection |     |     |                           |     |     |
|----------------------|---------------------------|-------------|--------------|-----|-----|-----|-----|-----|-----|-----|----|-----|-----|----------------------------------|-----|-----|---------------------------|-----|-----|
|                      | 功率(KW)<br>Power           | 进口<br>Inlet | 出口<br>Outlet | ΦPB | B   | B'  | C   | F   | H1  | H2  | K  | L1  | WA  | SMS螺纹连接 Thread connection        |     |     | INCH卡箍连接 Clamp connection |     |     |
|                      |                           |             |              |     |     |     |     |     |     |     |    |     |     | E                                | L2  | HA  | E                         | L2  | HA  |
| ZLX-15               | 1.5KW                     | 2"          | 1.5"         | 268 | 100 | \   | 56  | 98  | 90  | 217 | 10 | 285 | 140 | 187                              | 317 | 188 | 179                       | 310 | 181 |
|                      | 2.2KW                     | 2"          | 1.5"         | 268 | 125 | \   | 56  | 98  | 90  | 217 | 10 | 301 | 140 | 187                              | 317 | 188 | 179                       | 310 | 181 |
|                      | 3.0KW                     | 2"          | 1.5"         | 268 | 140 | \   | 63  | 98  | 100 | 240 | 12 | 346 | 160 | 187                              | 317 | 188 | 179                       | 310 | 181 |
| ZLX-20-1             | 3.0KW                     | 2.5"        | 2"           | 282 | 140 | \   | 63  | 100 | 100 | 240 | 12 | 346 | 160 | 191                              | 328 | 208 | 184                       | 317 | 201 |
|                      | 4.0KW                     | 2.5"        | 2"           | 282 | 140 | \   | 70  | 100 | 112 | 252 | 12 | 351 | 190 | 191                              | 328 | 208 | 184                       | 317 | 201 |
| ZLX-20-2             | 5.5-7.5KW                 | 2.5"        | 2"           | 282 | 140 | \   | 89  | 100 | 132 | 301 | 12 | 399 | 216 | 200                              | 328 | 208 | 193                       | 317 | 201 |
| ZLX-25               | 4.0KW                     | 2.5"        | 1.5"         | 328 | 140 | \   | 70  | 104 | 112 | 252 | 12 | 351 | 190 | 194                              | 329 | 218 | 183                       | 318 | 211 |
|                      | 5.5-7.5KW                 | 2.5"        | 1.5"         | 328 | 140 | \   | 89  | 104 | 132 | 301 | 12 | 399 | 216 | 194                              | 329 | 218 | 183                       | 318 | 211 |
| ZLX-30               | 5.5-7.5KW                 | 2.5"        | 1.5"         | 328 | 140 | \   | 89  | 104 | 132 | 301 | 12 | 399 | 216 | 194                              | 354 | 218 | 183                       | 343 | 211 |
| ZLX-35-1             | 11-15KW                   | 3"          | 1.5"         | 363 | 254 | 210 | 108 | 141 | 160 | 413 | 15 | 477 | 254 | 201                              | 400 | 243 | 189                       | 388 | 236 |
| ZLX-35-2             | 15.0KW                    | 3"          | 1.5"         | 363 | 254 | 210 | 108 | 141 | 160 | 413 | 15 | 477 | 254 | 208                              | 400 | 243 | 197                       | 388 | 236 |
|                      | 18.5KW                    | 3"          | 1.5"         | 363 | 254 | 210 | 108 | 141 | 160 | 413 | 15 | 477 | 254 | 208                              | 400 | 243 | 197                       | 388 | 236 |

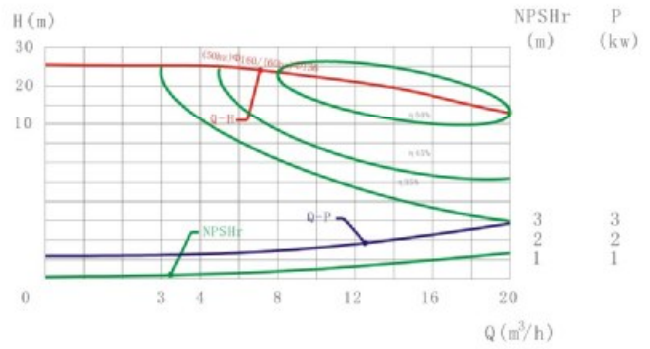
注意：以上数据图相关尺寸不作为实物最终依据，东正保留对于数据更新权限不再另行通知。  
 Note: The relevant dimensions of the above data diagrams are not regarded as the final basis of the actual object.  
 DONJOY reserves the right to update the data without further notice.

# ZLX 系列自吸式离心泵曲线图

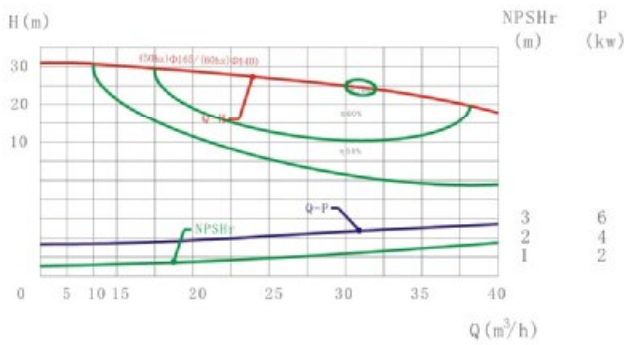
## ZLX series self-priming centrifugal pump graph



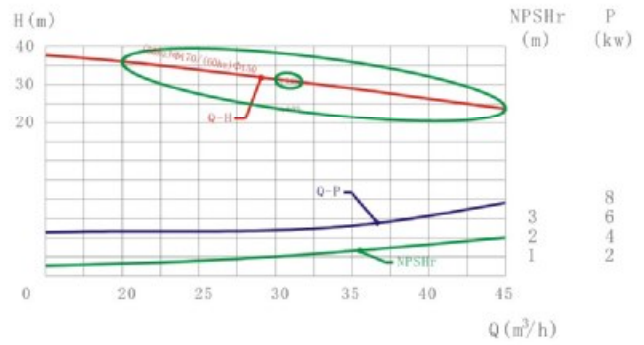
ZLX-15(Q-H曲线图/Graph)



ZLX-20-1(Q-H曲线图/Graph)



ZLX-20-2(Q-H曲线图/Graph)



测试条件: 介质清水, 温度20°C, 叶轮转速2900 R.P.M

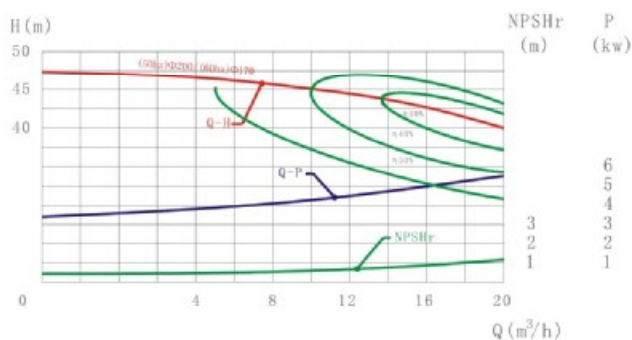
(此曲线图亦适用电机60Hz, 叶轮转速3600R.P.M) Q-流量(m³/h), H-扬程(M), P-功率(KW), η%-泵效率。

Testing condition: medium water, temperature 20 °C, impeller speed 2900 RPM (This graph also applies to motor 60HZ, impeller speed 3600RPM) Q-Flow rate (m³/h), H-head (meter), P-power (KW), η % pump efficiency

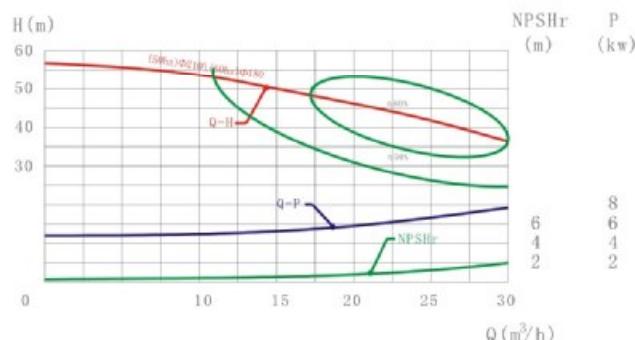
# ZLX 系列自吸式离心泵曲线图

## ZLX series self-priming centrifugal pump graph

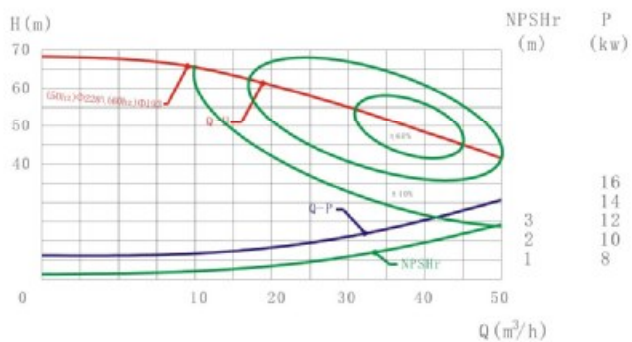
ZLX-25(Q-H曲线图/Graph)



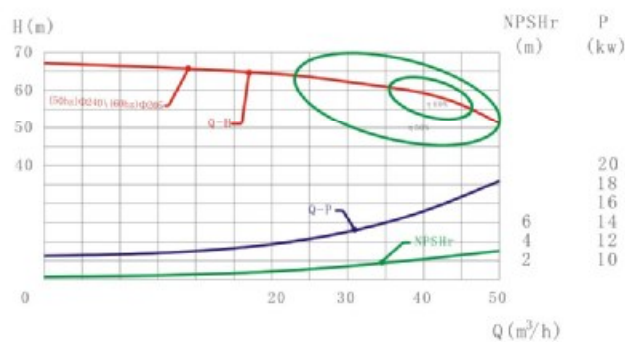
ZLX-30(Q-H曲线图/Graph)



ZLX-35-1(Q-H曲线图/Graph)



ZLX-35-2(Q-H曲线图/Graph)



测试条件: 介质清水, 温度20℃, 叶轮转速2900 R.P.M

(此曲线图亦适用电机60Hz, 叶轮转速3600R.P.M) Q-流量(m³/h), H-扬程(M), P-功率(KW), η%-泵效率。

Testing condition: medium water, temperature 20 °C, impeller speed 2900 RPM (This graph also applies to motor 60HZ, impeller speed 3600RPM) Q-Flow rate (m³/h), H-head (meter), P-power (KW), η % pump efficiency

# DJ-CIP 系列自吸泵

## DJ-CIP series self-priming pump

高效率、低噪音、大吸程、维护简单、高洁净的解决方案  
Solution for high efficiency, low noise, large suction, simple maintenance, high purity



CIP-U-系列自吸泵  
CIP-U-series self-priming pump



CIP-L-系列自吸泵  
CIP-L-series self-priming pump

随着市场需求的变化和技术的发展，我们希望在高洁净泵领域中树立新的技术标准，为此我们借助了流体学软件分析和我们20多年的制造及工程应用的经验，进行一系列的技术升级和优化。

DONJOY DJ-CIP-U/L 系列自吸泵不仅优化了内部结构、叶轮设计、死角处理、机封压力平衡设计且机封完全被处在冲洗区域。我们还对泵外部卫生也进行了优化，使其内部更加卫生、外部减少死角，由于没有死角区域，它非常容易被CIP清洗、SIP杀菌等。另外我们对DJ-CIP系列泵保持了最大的灵活性组合应用，如，泵出口角度可以从0° -135° 之间任意调整，这样对泵维护和保养及机封的更换，保持了高效，降低了人员高度专业性的要求，而这些无需特殊的工具。因而达到了、高效、卫生、高可靠性及低成本的目的，使DJ-CIP系列泵成为一款高性能的自吸泵。

With the changes in market demand and the development of technology, we hope to establish new technical standards in the field of high-clean pumps. For this reason, we have used a series of fluids software analysis and our more than 20 years of experience in manufacturing and engineering applications, to perform a series of technical upgrades and optimizations.

DONJOY DJ-CIP-U/L series self-priming pump not only optimizes the internal structure, impeller design, dead angle treatment, machine seal pressure balance design and the machine seal is completely in the flushing area. We also optimized the external hygiene of the pump to make it more hygienic and reduce the dead angle inside. Because there is no dead zone, it is very easy to be cleaned by CIP, SIP sterilization and so on. In addition, we have maintained the most flexible combination of DJ-CIP series pumps. For example, the pump outlet angle can be adjusted from 0° to 135°, which keeps the pump maintenance and servicing and machine seal replacement efficient. The requirement for a high degree of professionalism is reduced, and these do not require special tools. Therefore, the goal of achieving high efficiency, hygiene, high reliability and low cost is to make the DJ-CIP series pump a high performance self-priming pump.

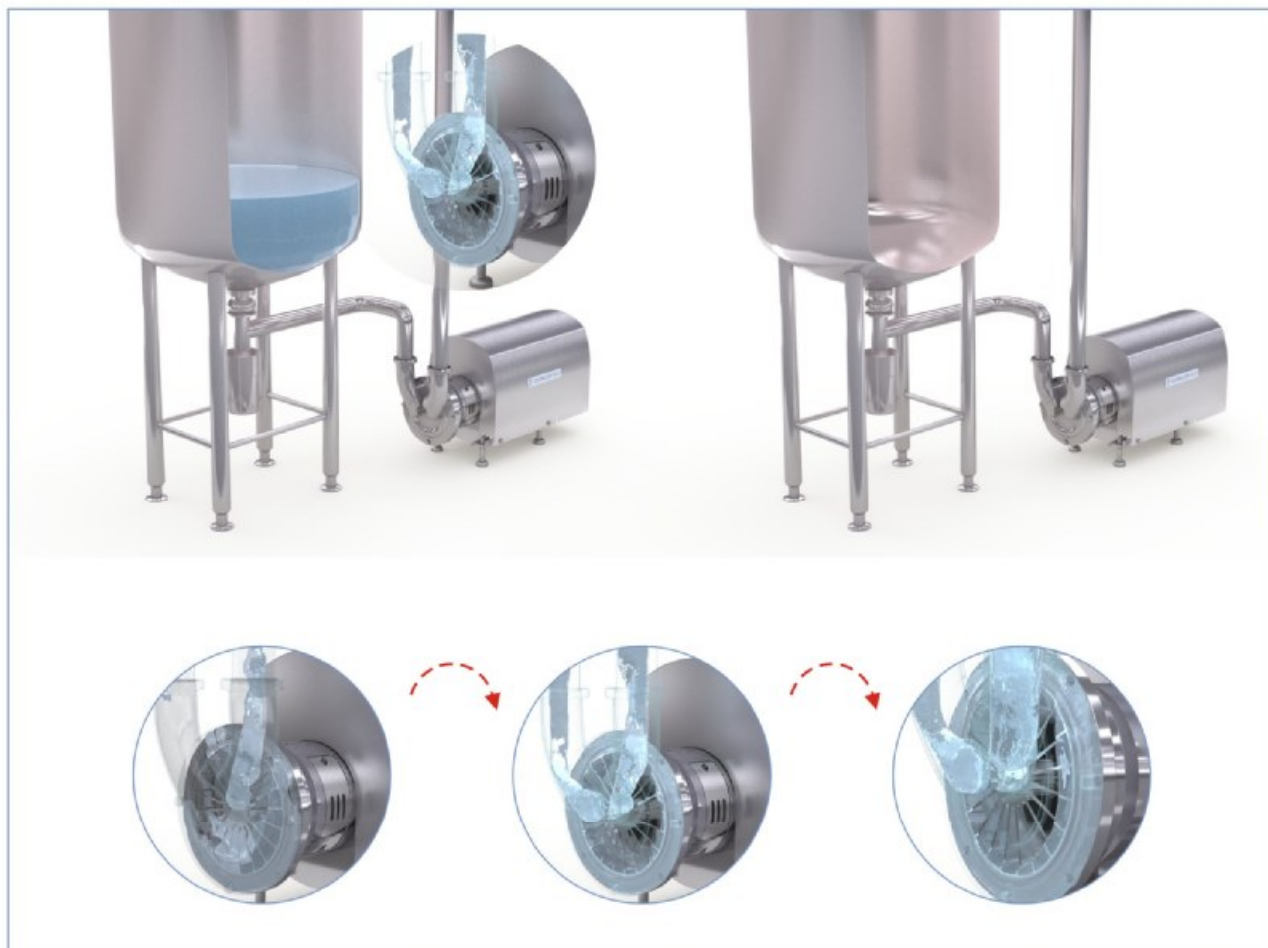
### 技术参数 Technical Specifications

|                                |   |
|--------------------------------|---|
| 最大流量 Max Flow rate             | 40m <sup>3</sup> /h   |
| 最高扬程 Max Head                  | 42M   |
| 最大吸程 Max suction               | 8M  |
| 温度 Temperature                 | -20°C到130°C / -20°C to 130°C  |
| 功率 power                       | 2.2-15KW  |
| 材质 Material                    | 304 /316L, 1.431/1.4404, ASME BPE 316L, 1.4435 NB2 Fe≤0.5%  |
| 表面处理 Surface treatment         | ≤ Ra0.8 μ m, ≤ Ra0.6 μ m, ≤ Ra0.4 μ m   |
| 机封 Mechanical seal             | 单机封、双机封 Single seal, double seal (见配置方案 see configuration scheme)                                 |
| 进/出口连接 Inlet/Outlet Connection | 螺纹、卡箍、法兰、无菌法兰, Thread, clamp, flange, Aseptic flange  |
| 认证 Certification               | 3-A-02-10(N.O.1579); MD/05/42-EC (N.O.70521616101-00); FDA 177.2600; USP CLASS-II; EG/VO1935/2004 |

# DJ-CIP 系列自吸泵

## DJ-CIP series self-priming pump

### 典型的应用 Typical Application



### CIP系列各种应用

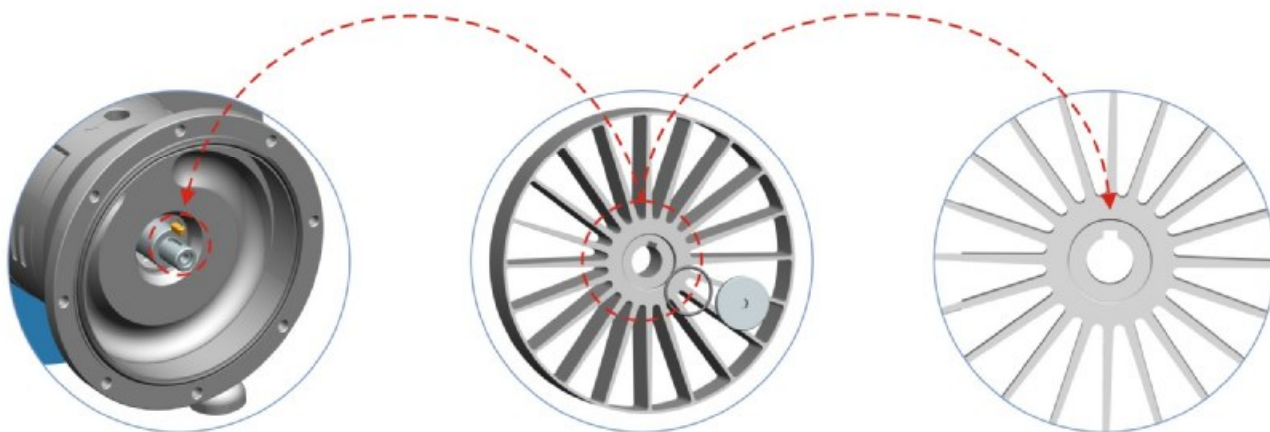
- 超强的自吸能力吸程高达8M，负压最高可达-0.8bar
- CIP解决方案
- 储罐清空
- 低液位高达8米抽取

### Various Applications of CIP Series

- Superior self-priming capacity up to 8M, negative pressure can be -0.8bar
- CIP solution
- Tank emptying
- Low liquid level can be 8 meters suction



非常简单的维护、无需专用工具、专业人员  
 Very simple maintenance, no special tools required,  
 no professionals required



### 技术优势

- 维护拆卸和安装时，无需专业人员和专用工具，即可完成。
- 初始使用安装调试时，即使出现短暂反向旋转也不会损坏。
- 叶轮和轴之间是通过键槽连接固定，叶轮和机封动环之间是通过销钉固定，机封静环和泵体之间是通过异形法兰固定。
- 兼容单机封和双机封，只需要更换机封即可实现。

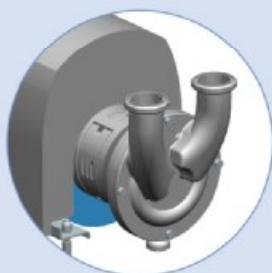
### Technical Advantages

- Maintenance disassembly and installation can be completed without professional staff and special tools.
- Initial use of installation debugging, even if a short reverse rotation will not be damaged.
- Impeller and shaft are connected by keyway; impeller and mechanical seal rotating ring are connected by pin; mechanical seal static ring and pump body are connected by special-shaped flange.
- Compatible with single and double machine seal, only need to change machine seal.

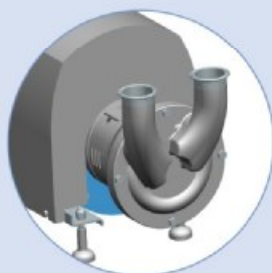
# DJ-CIP 系列自吸泵各种配置

## DJ-CIP series self-priming pump various configurations

### DJ-CIP-U 系列自吸泵各种配置 DJ-CIP-U series self-priming pump various configurations



螺纹连接  
Threaded connection



卡箍连接  
Clamp connection

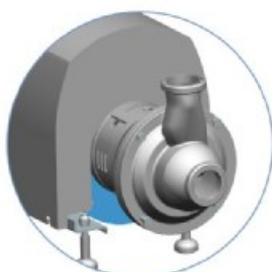


螺母连接  
Nut connection



无菌法兰(DIN 11864)进/出口  
Aseptic Flange  
(DIN 11864) Inlet/Outlet

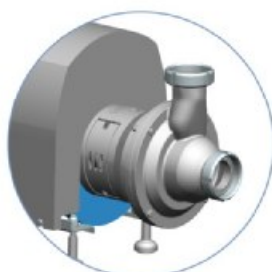
### DJ-CIP-L 系列自吸泵各种配置 DJ-CIP-L series self-priming pump various configurations



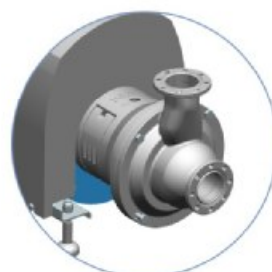
螺纹连接  
Threaded connection



卡箍连接  
Clamp connection



螺母连接  
Nut connection



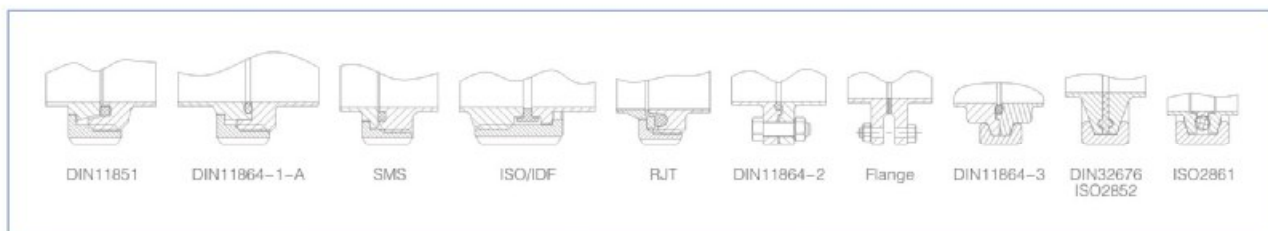
无菌法兰(DIN 11864)进/出口  
Aseptic Flange  
(DIN 11864) Inlet/Outlet

#### 泵进口/出口连接标准

连接方式：螺纹、卡箍、法兰、无菌法兰、KF、等。  
标准：DIN SMS ISO IDF RJT ASME BPE 3A I-line

#### Pump Inlet/outlet Connection Standard

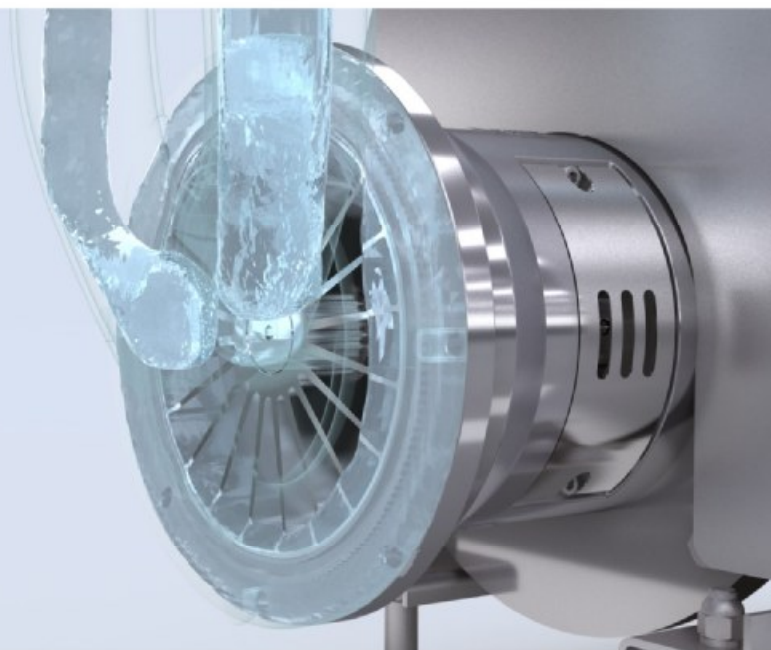
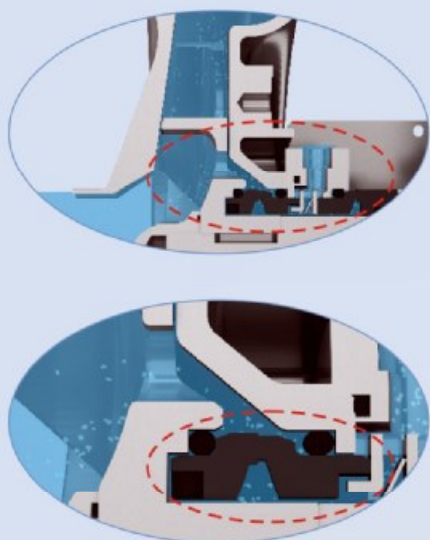
Connection: Thread, Clamp, Flange, Aseptic flange, KF etc.  
Standard: DIN SMS ISO IDF RJT ASME BPE 3A I-line





# DJ-CIP 系列自吸泵机封设计

## DJ-CIP series self-priming pump mechanical seal design



### 机封系统

DONJOY DJ-CIP 系列自吸泵机封，联合欧洲瑞典著名公司合作研发，机封设计具有压力平衡设计、超长使用寿命、极易拆装维护、无需特殊专用工具，卫生洁净符合和认证：欧盟EHEDG，美国 3-A-02-11，FDA1772600等高洁净要求。并有丰富的机封配置方案。

### Mechanical Seal System

Donjoy DJ-CIP series self-priming pump mechanical seal is researched and developed together with European Swedish famous company. The mechanical seal is designed with pressure balance and super long working life, can be disassembled and maintained easily without special tools. The sanitary purity is according to EU EHEDG, USA 3-A-02-11, FDA1772600 and so on. and has lots of configuration.

### 机封配置 Mechanical Seal Configuration

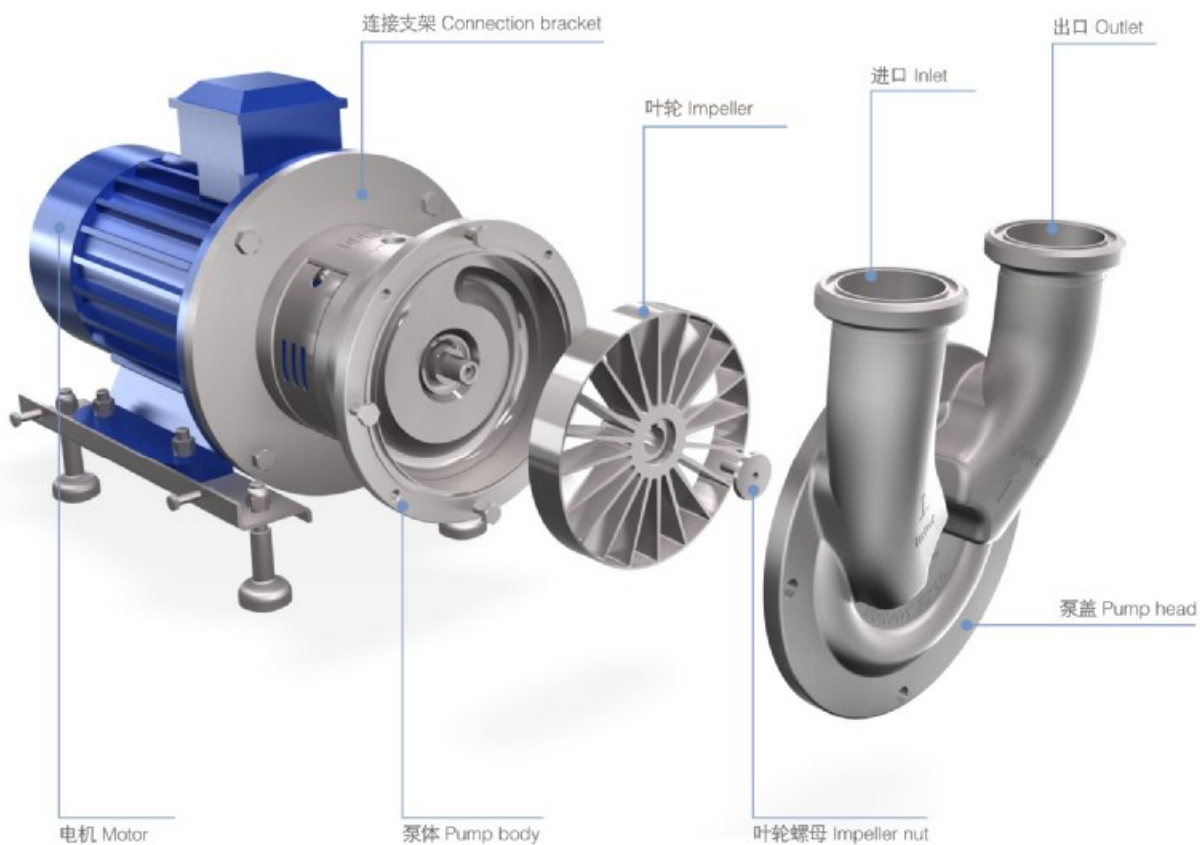
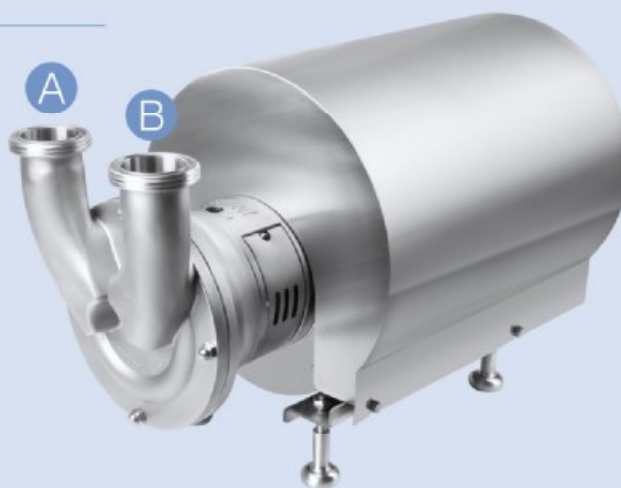
|                |              |
|----------------|--------------|
| 1)SIC/C/EPDM   | 标准配置Standard |
| 2)SIC/C/FKM    | 选型配置Optional |
| 3)SIC/C/HNBR   |              |
| 4)SIC/SIC/EPDM |              |
| 5)SIC/SIC/FKM  |              |
| 6)SIC/SIC/HNBR |              |
| 7)TC/TC/EPDM   |              |
| 8)TC/TC/FKM    |              |
| 9)TC/TC/HNBR   |              |

注意：以上配置适用于单机封和双机封。  
Note: Above configurations is suitable for single and double mechanical seal

# DJ-CIP 系列自吸泵 DJ-CIP series self-priming pump

## CIP-U 系列自吸泵 CIP-U series Self-priming Pump

A口=进口  
B口=出口  
A port = Inlet  
B port =outlet



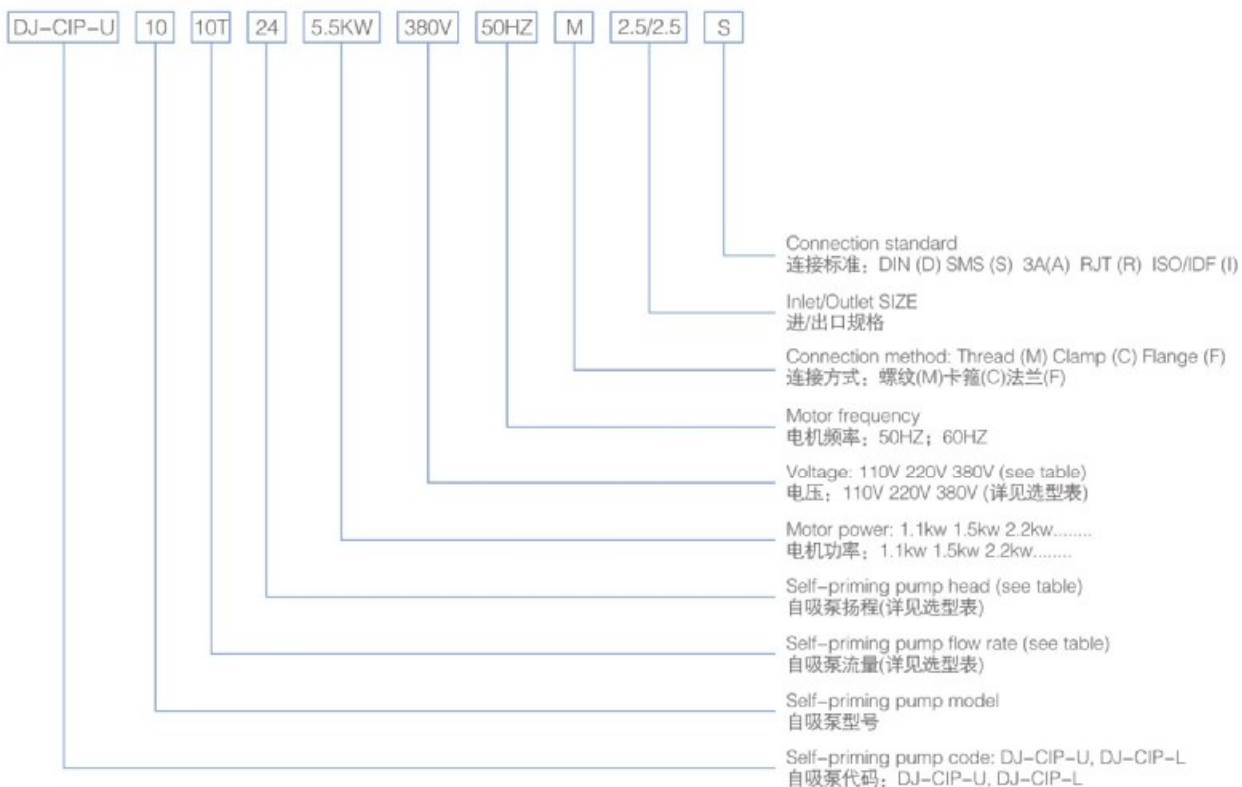
**CIP-L 系列自吸泵**  
**CIP-L series self-priming pump**

A口=进口  
B口=出口  
A port = Inlet  
B port =outlet



# DJ-CIP 自吸泵型号说明

## DJ-CIP self-priming pump model instruction



For example:  
 举例: DJ-CIP-U-10-10T-24-5.5KW-380V-50HZ-M-2.5"/2.5"-S

## DJ-CIP 系列自吸泵选型表 DJ-CIP series self-priming pump selection table

### CIP-U 系列自吸泵选型表 CIP-U series self-priming pump selection table

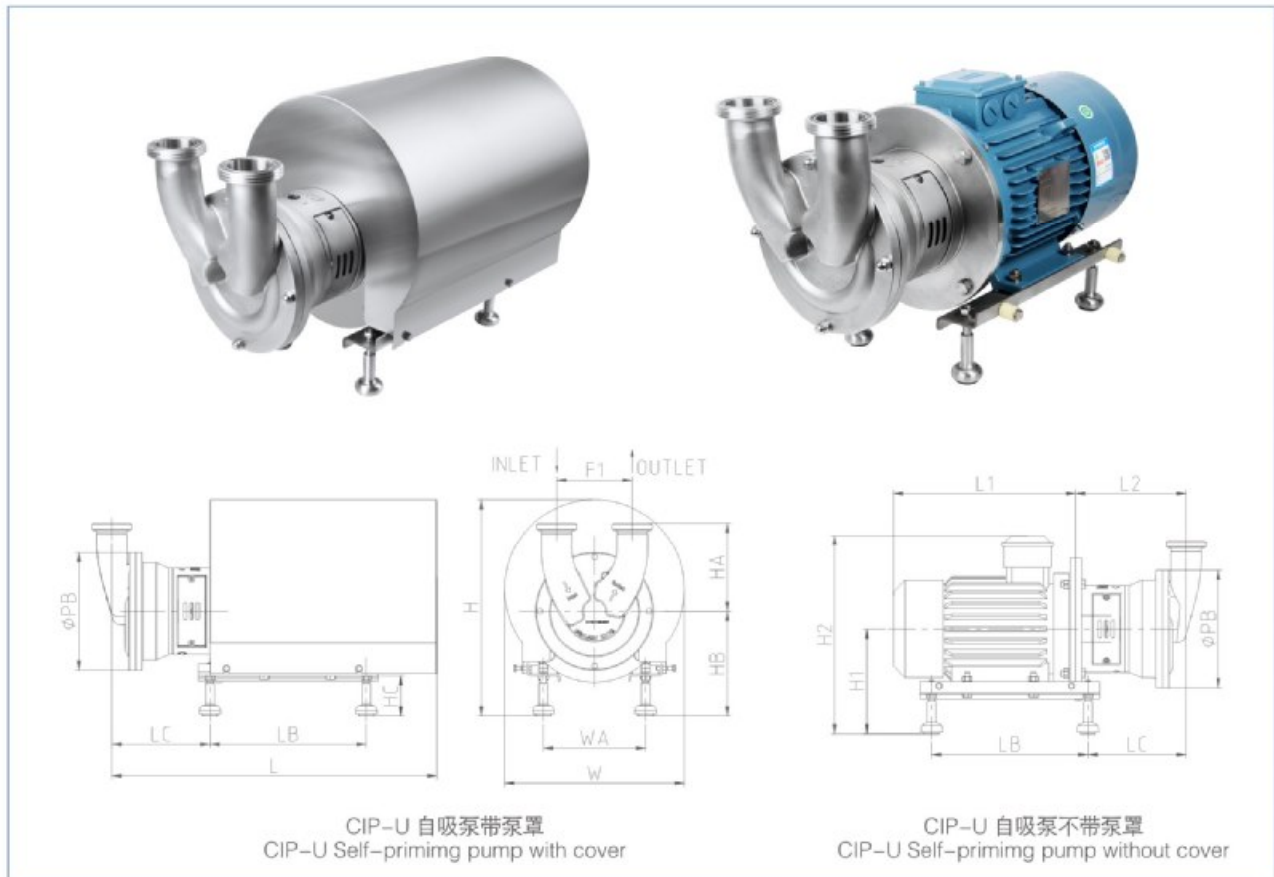
| 型号<br>Model | 功率<br>Power | 流量(m³/h)<br>Flow | 扬程(M)<br>Head | 进口负压(bar)<br>Inlet port negative<br>pressure | 进口<br>Inlet | 出口<br>Outlet | 重量(KG)<br>weight |
|-------------|-------------|------------------|---------------|--|-------------|--------------|------------------|
| DJ-CIP-U-10 | 5.5KW       | 20               | 11            | -0.72  | 2.5"        | 2.5"         | 87.2             |
|             |             | 15               | 18            |  |             |              |                  |
|             |             | 10               | 24            |  |             |              |                  |
| DJ-CIP-U-20 | 7.5kw       | 25               | 17            | -0.65  | 2.5"        | 2.5"         | 96.1             |
|             |             | 20               | 22            |  |             |              |                  |
|             |             | 18               | 24            |  |             |              |                  |
|             |             | 15               | 28            |  |             |              |                  |
|             | 11kw        | 10               | 34            |  |             |              | 140.1            |
|             |             | 5                | 38            |  |             |              |                  |
| DJ-CIP-U-30 | 11kw        | 35               | 19            | -0.8   | 2.5"        | 2.5"         | 152.2            |
|             |             | 30               | 24            |  |             |              |                  |
|             |             | 25               | 30            |  |             |              |                  |
|             |             | 21               | 33            |  |             |              |                  |
|             | 15kw        | 16               | 38            |  |             |              | 165.2            |
|             |             | 11               | 42            |  |             |              |                  |

### CIP-L 系列自吸泵选型表 CIP series self-priming pump selection table

| 型号<br>Model | 功率<br>Power | 流量(m³/h)<br>Flow | 扬程(M)<br>Head | 进口负压(bar)<br>Inlet port negative<br>pressure | 进口<br>Inlet | 出口<br>Outlet | 重量(KG)<br>weight |
|-------------|-------------|------------------|---------------|--|-------------|--------------|------------------|
| CIP-L-05    | 2.2KW       | 10               | 15            | -0.56  | 2"-DN50     | 2"-DN50      | 45.9             |
|             | 2.2KW       | 8                | 18            |  |             |              |                  |
|             | 3.0KW       | 5                | 20            |  |             |              | 54.9             |
| CIP-L-10    | 5.5KW       | 20               | 11            | -0.72  | 2.5"-DN65   | 2.5"-DN65    | 89               |
|             | 5.5KW       | 15               | 18            |  |             |              |                  |
|             | 5.5KW       | 10               | 24            |  |             |              |                  |
| CIP-L-20    | 7.5KW       | 25               | 17            | -0.65  | 3"          | 2.5"         | 95               |
|             | 7.5KW       | 20               | 22            |  |             |              |                  |
|             | 7.5KW       | 18               | 24            |  |             |              |                  |
|             | 7.5KW       | 15               | 28            |  |             |              |                  |
|             | 11.0KW      | 10               | 34            |  |             |              | 139              |
|             |             | 5                | 38            |  |             |              |                  |
| CIP-L-30    | 11.0KW      | 35               | 19            | -0.8   | 3"          | 2.5"         | 150              |
|             | 11.0KW      | 30               | 24            |  |             |              |                  |
|             | 11.0KW      | 25               | 30            |  |             |              |                  |
|             | 11.0KW      | 21               | 33            |  |             |              |                  |
|             | 15.0KW      | 16               | 38            |  |             |              | 163              |
|             |             | 11               | 42            |  |             |              |                  |

# CIP-U 系列自吸泵数据表

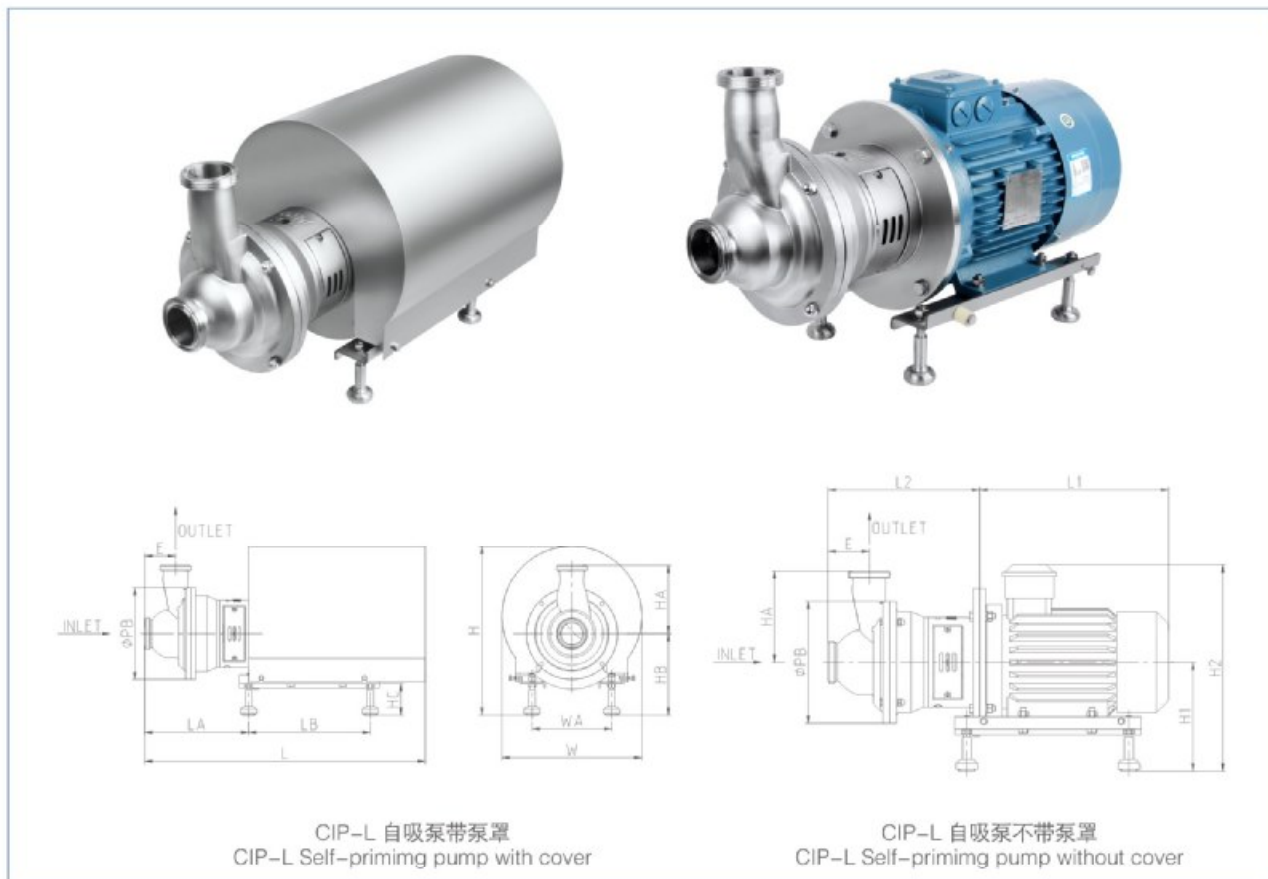
## CIP-U series self-priming pump data sheet



| 外形安装尺寸 Assembly Dimension |                 |             |              |     |     |     |     |     |     |    |     |     |     |       |     |     | 进出口连接方式 Connection way of inlet/outlet |               |                   |
|---------------------------|-----------------|-------------|--------------|-----|-----|-----|-----|-----|-----|----|-----|-----|-----|-------|-----|-----|--|---------------|-------------------|
| 型号<br>Model               | 功率(KW)<br>Power | 进口<br>Inlet | 出口<br>Outlet | F1  | L   | LB  | LC  | H   | HB  | HC | W   | WA  | L1  | L2    | H1  | H2  | SMS螺纹<br>(Thread)                      | 卡箍<br>(Clamp) | DIN螺纹<br>(Thread) |
|                           |                 |             |              |     |     |     |     |     |     |    |     |     |     |       |     |     | HA                                     | HA            | HA                |
| CIP-U-10                  | 5.5             | 2.5"        | 2.5"         | 160 | 687 | 330 | 207 | 468 | 231 | 95 | 380 | 216 | 385 | 233.4 | 428 | 231 | 187                                    | 180           | 186               |
| CIP-U-20                  | 7.5             | 2.5"        | 2.5"         | 160 | 698 | 370 | 219 | 468 | 231 | 95 | 380 | 216 | 425 | 245   | 434 | 231 | 203                                    | 196           | 204               |
|                           | 11              | 2.5"        | 2.5"         | 160 | 801 | 450 | 226 | 551 | 231 | 95 | 470 | 254 | 490 | 245   | 510 | 259 | 203                                    | 196           | 204               |
| CIP-U-30                  | 11              | 2.5"        | 2.5"         | 160 | 805 | 450 | 231 | 561 | 260 | 95 | 470 | 254 | 490 | 274   | 510 | 259 | 211                                    | 202           | 210               |
|                           | 15              | 2.5"        | 2.5"         | 160 | 805 | 450 | 231 | 561 | 260 | 95 | 470 | 254 | 490 | 274   | 510 | 259 | 211                                    | 202           | 210               |

# CIP-L 系列自吸泵数据表

## CIP-L series self-priming pump data sheet

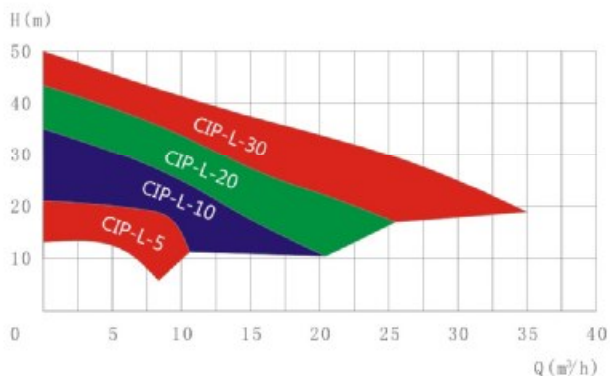


| 型号<br>Model | 功率(KW)<br>Power | 进口<br>Inlet | 出口<br>Outlet | 外形安装尺寸 Assembly Dimension |     |       |    |     |     |     |     | 进出口连接方式 Connection way of inlet/outlet |                                 |     |     |     |                                   |       |       |       |
|-------------|-----------------|-------------|--------------|---------------------------|-----|-------|----|-----|-----|-----|-----|--|---------------------------------|-----|-----|-----|-----------------------------------|-------|-------|-------|
|             |                 |             |              | LB                        | H   | HB    | HC | W   | WA  | L1  | L2  | H2                                     | SMS由任连接<br>SMS Union connection |     |     |     | INCH卡箍连接<br>INCH Clamp connection |       |       |       |
|             |                 |             |              |                           |     |       |    |     |     |     |     |  | E                               | LA  | L   | HA  | E                                 | LA    | L     | HA    |
| CIP-L-05    | 2.2             | 2"          | 2"           | 300                       | 413 | 218.5 | 95 | 320 | 160 | 320 | 275 | 388                                    | 71                              | 233 | 658 | 142 | 63.7                              | 225.7 | 650.7 | 134.7 |
| CIP-L-05    | 3.0             | 2"          | 2"           | 300                       | 413 | 218.5 | 95 | 320 | 160 | 320 | 275 | 388                                    | 71                              | 233 | 658 | 142 | 63.7                              | 225.7 | 650.7 | 134.7 |
| CIP-L-10    | 5.5             | 2.5"        | 2.5"         | 330                       | 468 | 231   | 95 | 380 | 216 | 385 | 308 | 428                                    | 81                              | 282 | 762 | 185 | 69.7                              | 270.7 | 750   | 173.7 |
| CIP-L-20    | 7.5             | 3"          | 2.5"         | 370                       | 468 | 227   | 95 | 380 | 216 | 425 | 329 | 434                                    | 97                              | 303 | 780 | 204 | 84.7                              | 290.7 | 768   | 192.7 |
| CIP-L-20    | 11.0            | 3"          | 2.5"         | 450                       | 551 | 227   | 95 | 470 | 254 | 490 | 329 | 510                                    | 97                              | 303 | 882 | 204 | 84.7                              | 290.7 | 870   | 192.7 |
| CIP-L-30    | 11.0            | 3"          | 2.5"         | 450                       | 551 | 260   | 95 | 470 | 254 | 490 | 356 | 510                                    | 97                              | 313 | 885 | 211 | 84.7                              | 300.7 | 873   | 199.7 |
| CIP-L-30    | 15.0            | 3"          | 2.5"         | 450                       | 551 | 260   | 95 | 470 | 254 | 490 | 356 | 510                                    | 97                              | 313 | 885 | 211 | 84.7                              | 300.7 | 873   | 199.7 |

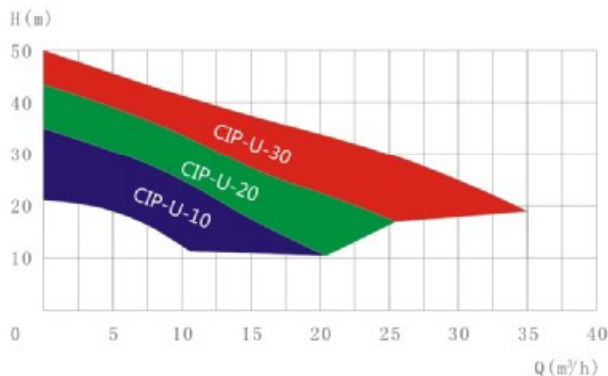
# DJ-CIP 系列自吸泵综合曲线图

## DJ-CIP series self-priming pump comprehensive graph

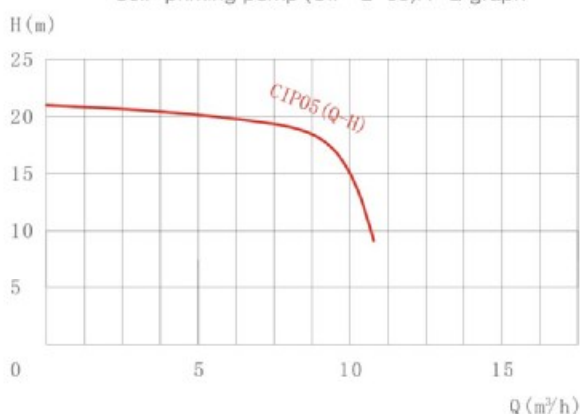
自吸泵(CIP-L-10/20/30)H-Q曲线图  
Self-priming pump (CIP-L-10/20/30)H-Q graph



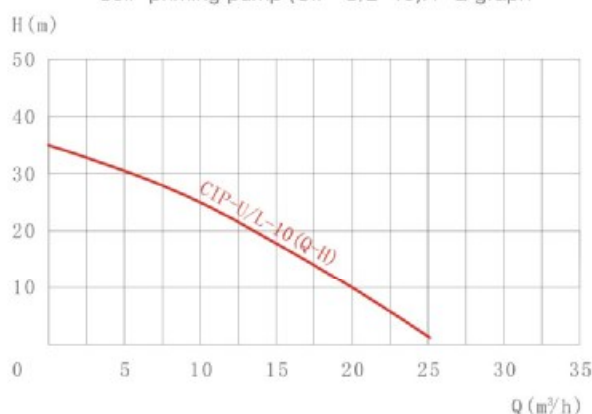
自吸泵(CIP-U-10/20/30)H-Q曲线图  
Self-priming pump (CIP-U-10/20/30)H-Q graph



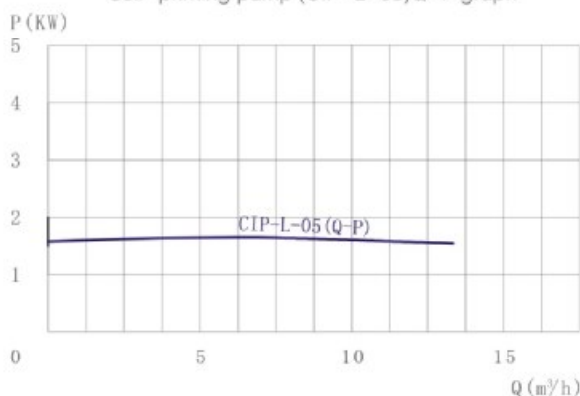
自吸泵(CIP-L-05)H-Q曲线图  
Self-priming pump (CIP-L-05)H-Q graph



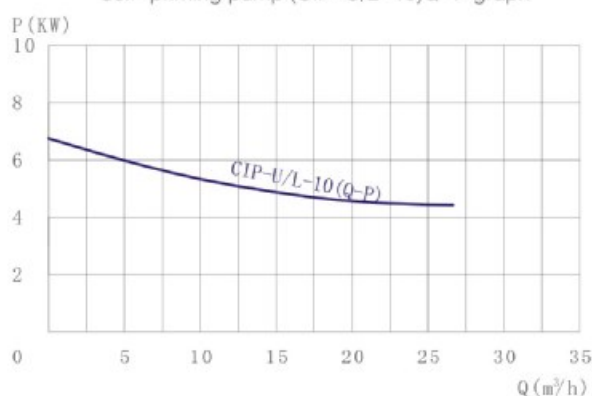
自吸泵(CIP-U/L-10)H-Q曲线图  
Self-priming pump (CIP-U/L-10)H-Q graph



自吸泵(CIP-L-05)Q-P曲线图  
Self-priming pump (CIP-L-05)Q-P graph

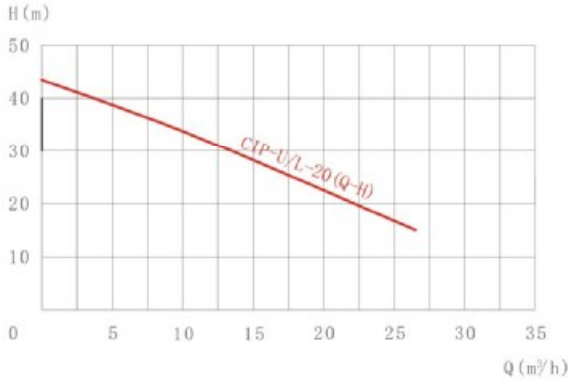


自吸泵(CIP-U/L-10)Q-P曲线图  
Self-priming pump (CIP-U/L-10)Q-P graph

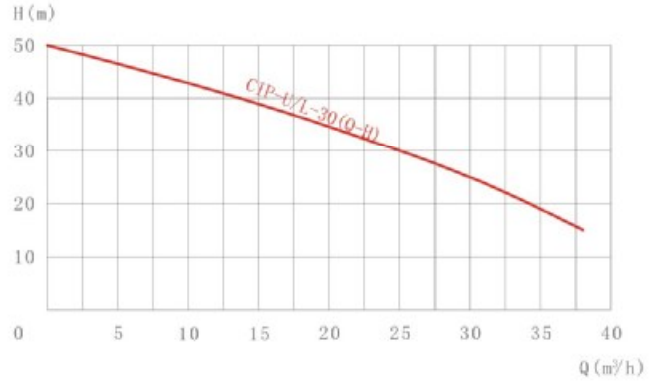




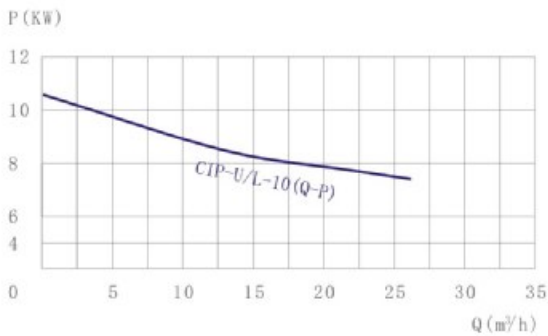
自吸泵(CIP-U/L-20)H-Q曲线图  
Self-priming pump (CIP-U/L-20)H-Q graph



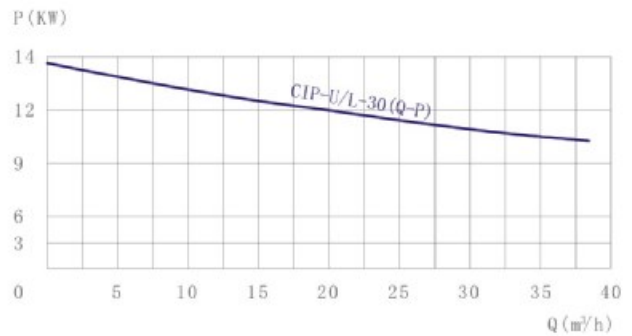
自吸泵(CIP-U/L-30)H-Q曲线图  
Self-priming pump (CIP-U/L-30)H-Q graph



自吸泵(CIP-U/L-20)Q-P曲线图  
Self-priming pump (CIP-U/L-20)Q-P graph



自吸泵(CIP-U/L-30)Q-P曲线图  
Self-priming pump (CIP-U/L-30)Q-P graph



测试条件: 介质清水, 温度20℃, 叶轮转速2900 R.P.M  
Q-流量(m³/h), H-扬程(M), P-功率(KW)。

Testing condition: medium water, temperature 20 °C, impeller speed 2900 RPM  
Q-Flow rate (m³/h), H-head (meter), P-power (KW).





DONJOY looking forward to your visit! Your telecommunications!



## 东正科技有限公司 DONJOY TECHNOLOGY CO., LTD

地址: 温州空港新区港富路25号  
总机: 0577 8699 0888  
传真: 0577 8699 8000

ADD: No.25 Gangfu Road, Konggang  
New District, Longwan, Wenzhou, China  
TEL: +86 577 8699 0888  
FAX: +86 577 8699 8000  
E-mail: donjoy@cndonjoy.com

[www.cndonjoy.com](http://www.cndonjoy.com)

### 法律声明:

目录样册版权归东正所有, 如有抄袭, 必将追究其法律责任和经济赔偿。  
东正已获得国家版权局书刊号。东正诸多产品技术, 都具有专利保护, 如有抄袭, 必将追究法律责任和经济赔偿。

### Legal statement:

Copyright of the catalogue belongs to Donjoy. If there is plagiarism, it will be investigated for legal responsibility and economic compensation. Donjoy has been granted publications number by Chinese National Copyright. Donjoy products and technology are with patent protection. If there is plagiarism, it will be investigated for legal responsibility and economic compensation.